

Date:	Project Name:
Type:	Part Number:



HELIOS SERIES

LED WRAP AROUND



DESCRIPTION

The Helios series embraces a minimalist design while providing a wide array of features making this fixture adaptable to any indoor application. Utilize the colour and wattage selections built into the fixture to create the perfect look. Easy to install and built to last, this series is sure to impress.

FEATURES

- DLC Standard
- Optional integrated sensor available
- Dual Voltage 120-347V
- 0-10V Continuous Dimming
- Surface or Suspension Mounting options
- Easy and Safe Installation
- Frosted Polycarbonate Lens
- Rated Lifetime L70(hrs): >70,000
- Operation temperature: -22°F to 122°F (-30°C to 50°C)
- Suitable for Damp Locations
- Includes Coverplate and V-Hangers
- Sensor Available
- CRI > 80
- 7 year warranty

APPLICATIONS

-  Corridors
-  Education Facilities
-  Low Bay Application
-  Multi-res/Retirement



Date:	Project Name:
Type:	Part Number:

SPECIFICATION

ORDER#	MODEL#	WATTS	VOLTAGE (V)	LUMENS	HOURS RATING	CCT (K)	DLC STANDARD
R38001	RENO-HWR2-MW-DV-MCCT	12/15/18/22W	120-347V	1560/1950/ 2340/2860 lm	70,000	35/40/50K	✓
R38002	RENO-HWR4-MW-DV-MCCT	22/28/34/44W	120-347V	2860/3640/ 4420/5720 lm	70,000	35/40/50K	✓

ACCESSORIES OPTIONS

ORDER#	MODEL#	DESCRIPTION
R39204	RENO-RP	LED suspension kit
R83004	RENO-EM-C08	Emergency LED Driver



RENO-RP



RENO-EM-C08

SENSOR OPTIONS

ORDER#	MODEL#	DESCRIPTION
R74002	RENO-SENSOR-PIR-H-EX	For external mounting when installed above 13FT



RENO-SENSOR-PIR-H-EX

Date:	Project Name:
Type:	Part Number:

REMOTE OPTIONS

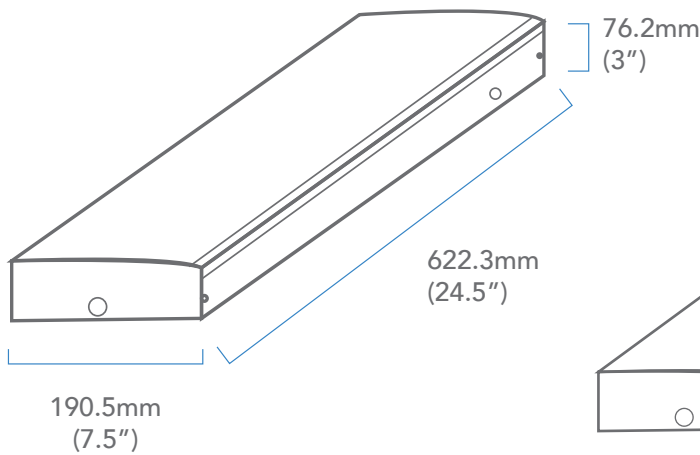
ORDER#	MODEL#	DESCRIPTION
R73002	RENO-REMOTE-H	Remote Control



RENO-REMOTE-H

DIMENSIONS

2FT.



4FT.

