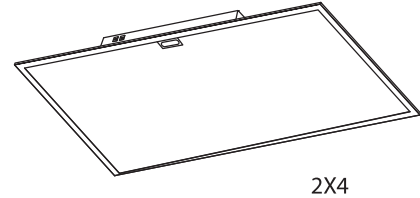
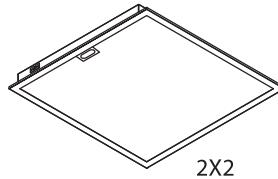
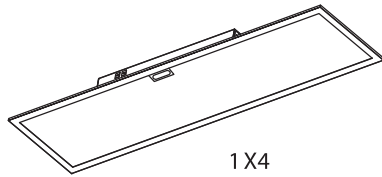


INSTRUCTIONS

LED SENSOR-READY BACKLIT PANEL INSTALLATION



IMPORTANT

READ CAREFULLY BEFORE INSTALLING THE FIXTURE. KEEP THESE INSTRUCTIONS FOR FUTURE REFERENCE.

Fixtures must be wired in accordance with the National Electric Code and all applicable local codes. Proper grounding is required for safety. **THIS PRODUCT MUST BE INSTALLED IN ACCORDANCE WITH THE APPLICABLE INSTALLATION CODE BY A PERSON FAMILIAR WITH THE CONSTRUCTION AND OPERATION OF THE PRODUCT AND THE HAZARDS INVOLVED.**

WARNING: Make sure power is OFF before installing or maintaining fixture. No user serviceable parts inside.

SAFETY INSTRUCTIONS

WARNING: Risk of fire or electric shock. Suitable for damp locations.
WARNING: Suitable for 9/16" or 15/16" flat tee grid on both insulated ceilings and non-insulated ceilings. Access above the ceiling is required.

WARNING: Do not handle energized fixture when hands are wet, when standing on wet or damp surfaces, or when in water.

WARNING: Vapor barrier must be suitable for 90°C.

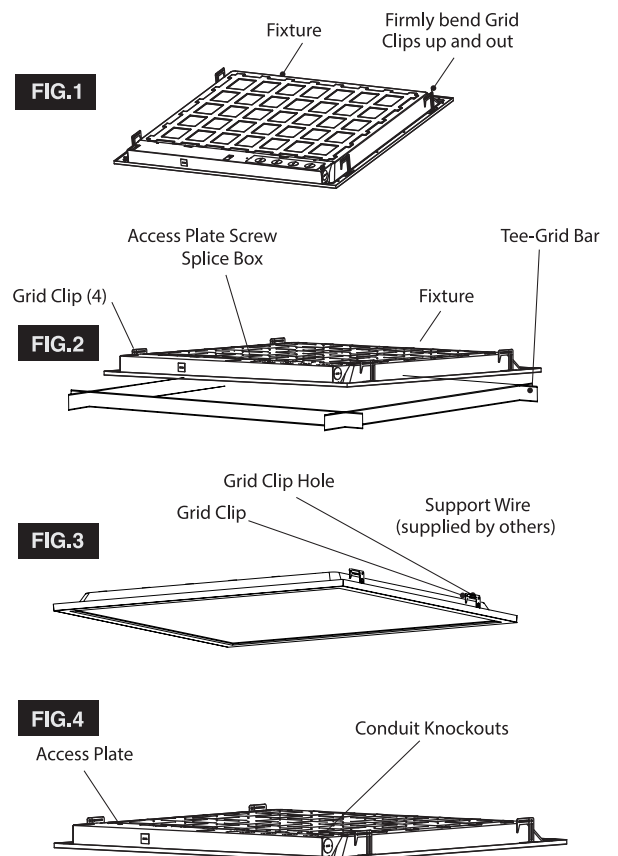
WARNING: Fixture to be independently supported to building structure.

RECESSED CEILING MOUNTING

The fixture is suitable only for **INDOOR RECESSED CEILING** application. Above ceiling access is required.

To mount an insulated or non-insulated ceiling 9/16" or 15/16" exposed flat tee grid ceiling, follow the steps below:

1. Firmly bend the pre-installed grid clips (up and out as shown in Fig. 1).
2. Rotate and slide the fixtures as required to fit through the tee grid bar and place it as indicated by the directional arrow as shown in Fig. 2. Secure the fixture to the tee grid bar.
3. Support wires are required by installation codes. Support the fixture to the building structure with support wired (supplied by others) through the grid slip hole as shown in Fig. 3.
4. Make sure that the orientation of the splice box and access plate faces an accessible tile to make electrical splices.
5. Loosen access plate screw and remove the access plate knockout appropriate conduit knockouts on the access plate to route input conduit. Use appropriate conduit connectors as required by code as shown in Fig. 4.
6. Connect wires as shown in wiring diagram (Fig. 5). Push all wires back into the splice box. Use appropriate UL-approved wire connectors as required by code to complete wiring. Be careful not to pinch wires.
WARNING: To prevent wiring damage or abrasion, do not expose wiring to edges of sheet metal or other sharp objects.
7. Replace access plate and tighten access plate screw.



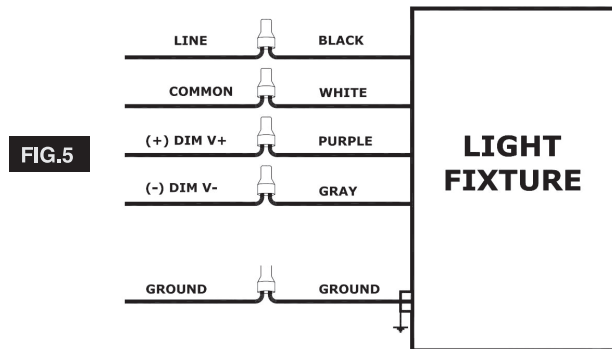
INSTRUCTIONS

LED SENSOR-READY BACKLIT PANEL INSTALLATION

WIRING INSTRUCTIONS

Universal voltage driver permits operation at 120V thru 347V (Fig. 5).

1. Connect the **black** fixture lead to the **LINE** supply lead.
2. Connect the **white** fixture lead to the **COMMON** supply lead.
3. Connect the **GROUND** wire from fixture to supply ground.



SENSOR INSTALLATION

The PIR Sensor-Ready base is equipped with a quick-connector for easy installation. It is compatible with the RENO PIR Standalone Sensor or the RENO Smart Bluetooth PIR Sensor.

1. Using one flathead screwdriver, carefully wedge the flathead onto the divot on the sensor base cap, then gently push down and lift to pop out the sensor base (Fig. 6)
2. The sensor base cap is fastened to the quick connector. Remove the sensor base cap before installing the PIR sensor.
3. Using the quick connector, connect the PIR sensor to the fixture.
4. To remove the installed PIR sensor: Using two flathead screwdrivers, carefully wedge the flatheads to the opposite sides of the sensor base, then gently push down and lift to pop out the sensor. (Fig. 7)

