

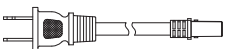
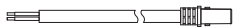
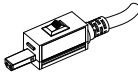

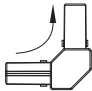
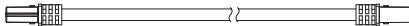

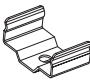
## INSTRUCTIONS FOR THE FOLLOWING FIXTURES

Order	Model	Order	Model
R33044	RENO-NX-HL-6-30K-AC	R33052	RENO-NX-HL-24-30K-AC
R33045	RENO-NX-HL-6-35K-AC	R33053	RENO-NX-HL-24-35K-AC
R33046	RENO-NX-HL-6-40K-AC	R33054	RENO-NX-HL-24-40K-AC
R33047	RENO-NX-HL-6-50K-AC	R33055	RENO-NX-HL-24-50K-AC
R33048	RENO-NX-HL-12-30K-AC	R33056	RENO-NX-HL-48-30K-AC
R33049	RENO-NX-HL-12-35K-AC	R33057	RENO-NX-HL-48-35K-AC
R33050	RENO-NX-HL-12-40K-AC	R33058	RENO-NX-HL-48-40K-AC
R33051	RENO-NX-HL-12-50K-AC	R33059	RENO-NX-HL-48-50K-AC

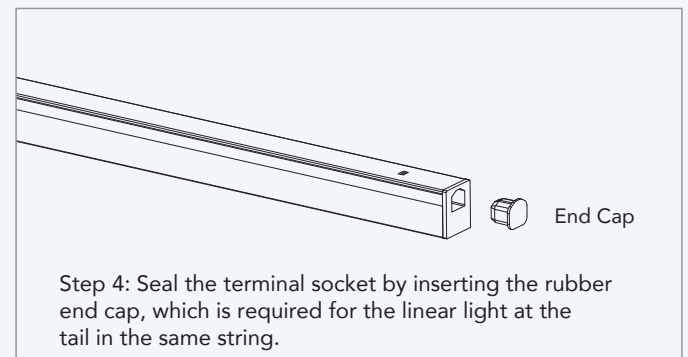
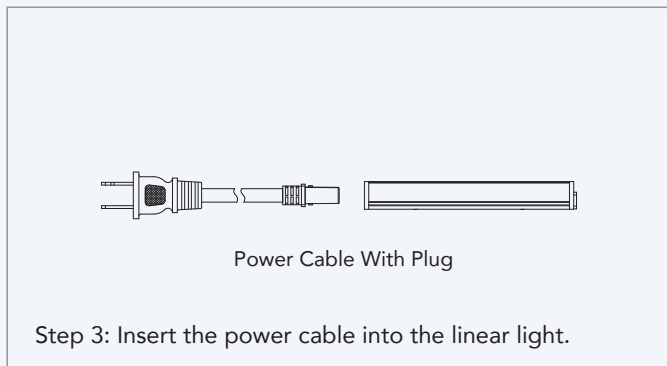
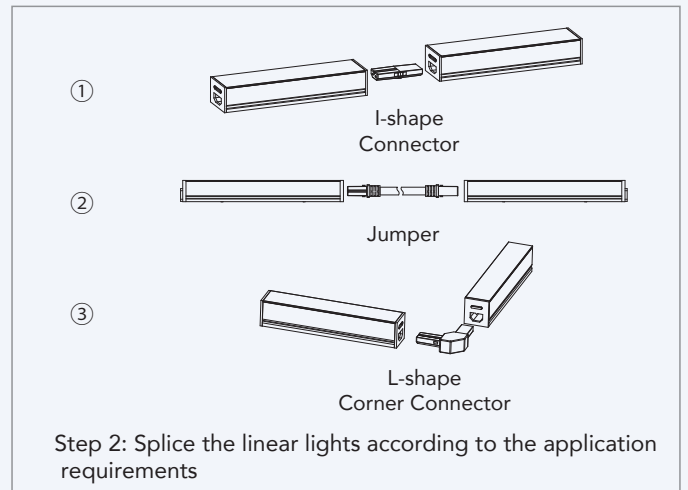
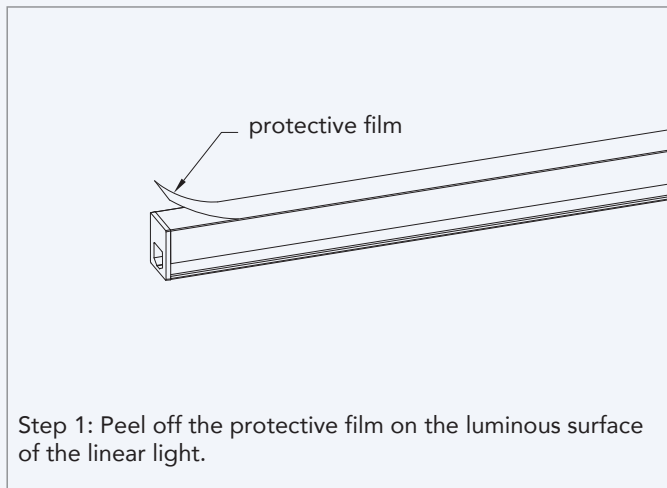
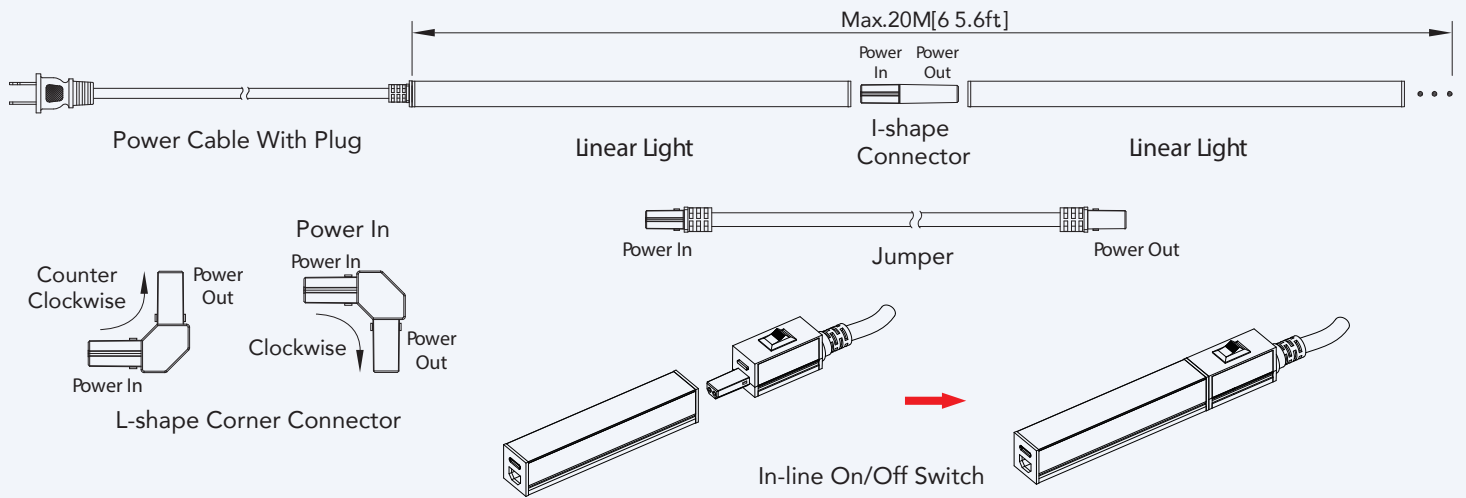
## SAFETY & WARNINGS

1. Install the product in compliance with national and local electrical codes and regulations.
2. This product must be installed and maintained by a qualified and licensed electrician.
3. Before conducting installation, maintenance, or cleaning, always turn off or disconnect the power supply first; prior to powering on, verify that the wiring is correct.
4. Do not install the product in an environment where the ambient temperature exceeds the range (-20°C~45°C). This product is for indoor use only (in dry conditions).
5. Do not exceed the product's maximum run length of 20 meters; exceeding this length may lead to overload issues or uneven brightness.
6. Do not modify or disassemble this product beyond the scope of the provided instructions.
7. Do not cover the product, as covering it may cause overheating, melting, or ignition.
8. Do not install the product near heat sources or open flammable gas sources.
9. Do not stare directly at the product for a prolonged period, as its light may cause glare.
10. To ensure effective heat dissipation, leave sufficient air circulation space around the product.
11. Avoid scraping or bending the product during assembly and installation, as this may cause irreparable damage.
12. This product only supports single-side power supply connection.
13. For safety reasons, be sure to seal the terminal socket of the end product in the same series circuit by using the provided rubber end cap.

## ACCESSORIES

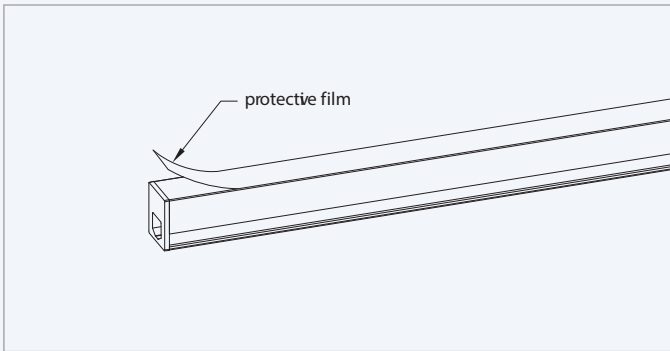
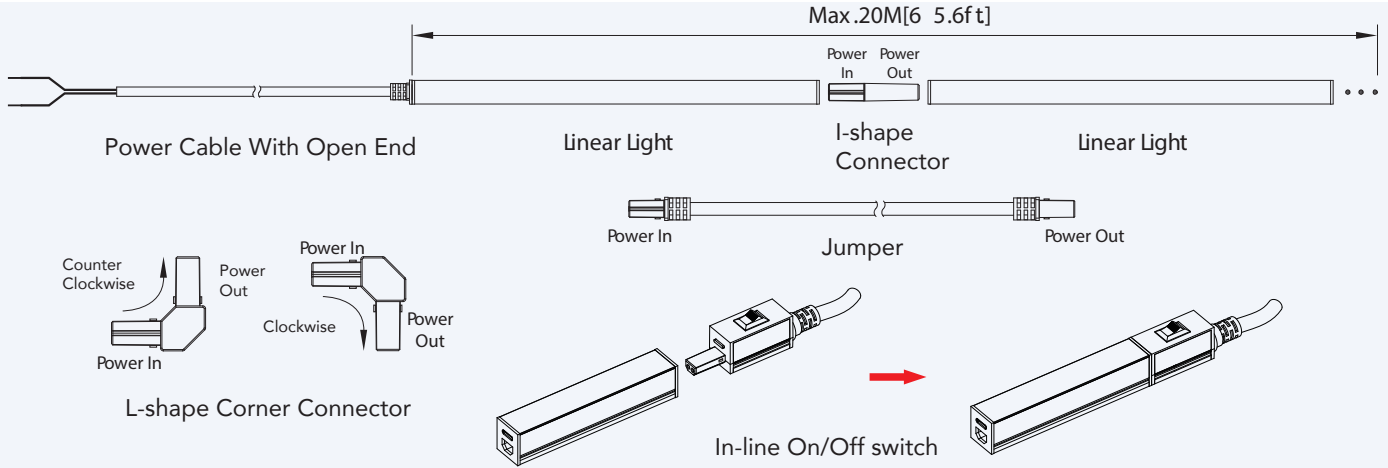
<p>1.</p>  <p>Power cable with plug (For plug-in version)</p>	<p>2.</p>  <p>Power cable with open end (For hard-wire version)</p>	<p>3.</p>  <p>Power cable with in-line on/off switch (Open end for hard-wire version, and plug for plug-in version.)</p>
<p>4.</p>  <p>I-shape C connector</p>	<p>5.</p>  <p>L-shape Corner Connector</p>	<p>7.</p>  <p>Jumper</p>
<p>7.</p>  <p>End Cap</p>	<p>8.</p>  <p>Stainless Short Bracket</p>	

## Connection (plug-in version)

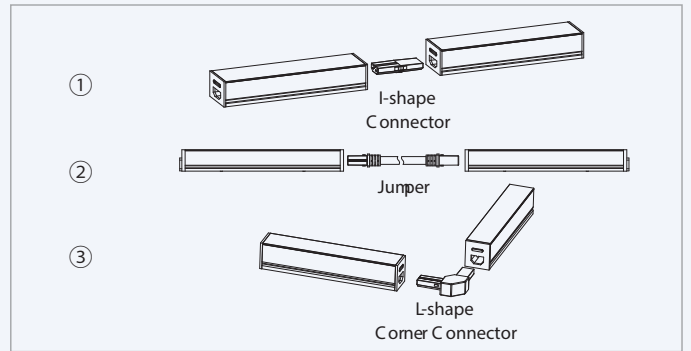


\*In order to prevent short circuits caused by incorrect connections, the main body and connecting accessories of the product are designed with a male and female structure.

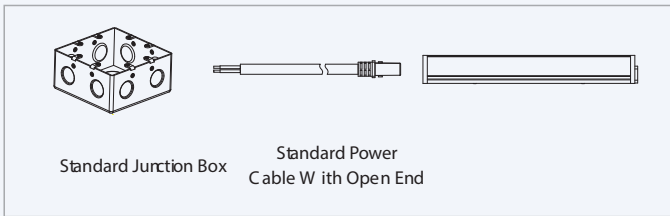
## Connection (hard-wire version)



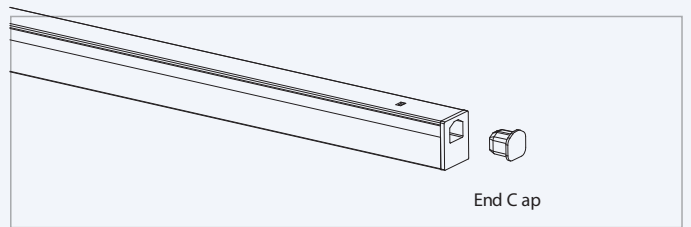
Step 1: Peel off the protective film on the luminous surface of the linear light.



Step 2: Splice the linear lights according to the application requirements.



Step 3: Connect the linear light to the junction box



Step 4: Seal the terminal socket by inserting the rubber end cap, which is required for the linear light at the tail in the same string

\* In order to prevent short circuits caused by incorrect connections, the main body and connecting accessories of the product are designed with a male and female structure

## Installation

Fixed by stainless short bracket

