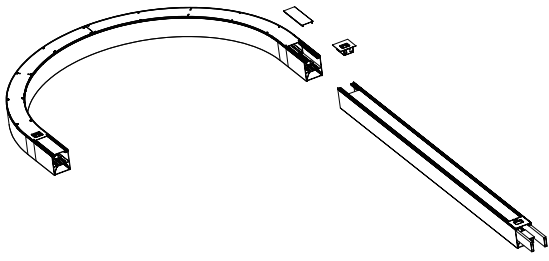
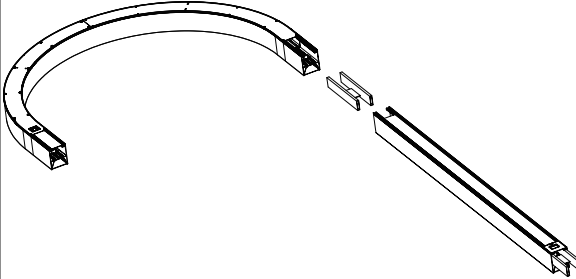
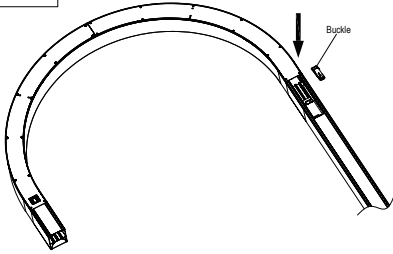
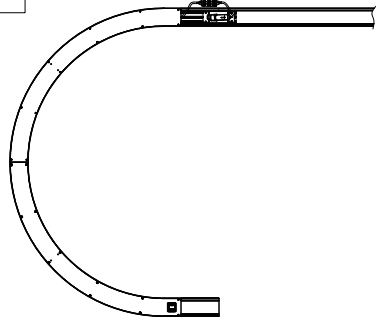
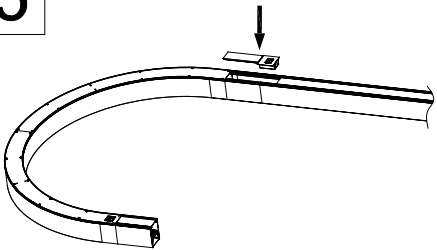
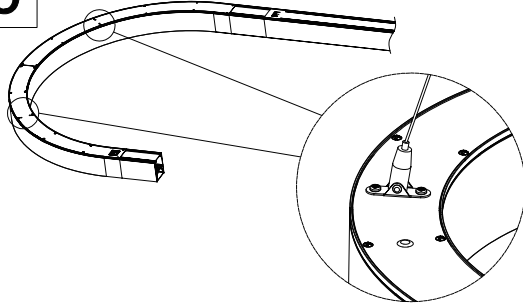




Date:	Project Name:
Type:	Part Number:

### Installation for Half Circle Connector

<p><b>1</b> Take down the back covers of the arc connector and fixture.</p> 	<p><b>2</b> Slide the linear connector kit into the fixture and then link arc connector at another side.</p> 
<p><b>3</b> Use buckle to tighten the connection.</p> 	<p><b>4</b> Connect two sides wires with quick connector.</p> 
<p><b>5</b> Reinstall the back covers.</p> 	<p><b>6</b> Lock the suspension kits and adjust the suspension cable length.</p> 
<p><b>7</b> Installation complete.</p> 