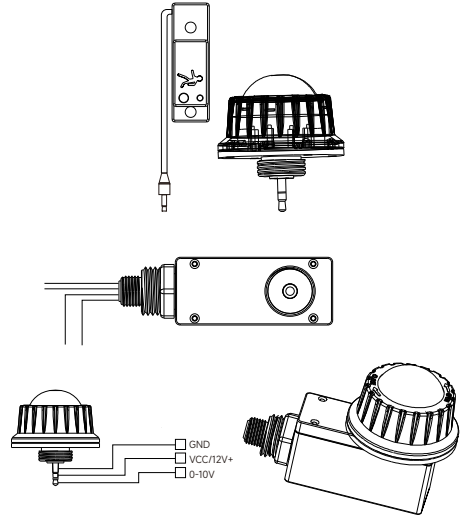
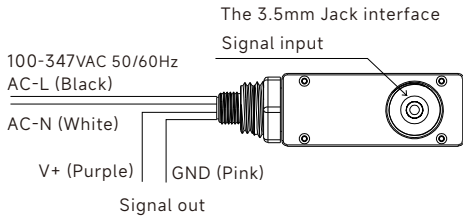




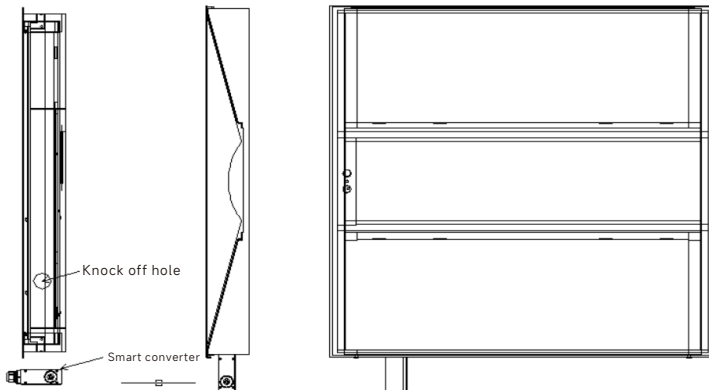
RENO SMART

Intelligent conversion module

Wiring diagram



Installation



1. First, open one of the knock down holes at the power AC wiring position of the panel lamp or the torfier.
2. Install the smart converter into the knock down hole and fix it with nuts.
3. Connect the corresponding wires as shown in the document wiring diagram.
4. Install the Bluetooth module required in the place of use into the converted jack interface.
5. Please disconnect all electrical connections.



RENO
SMART

Intelligent conversion module

Attention:

Precautions

1. Turn the power off at the circuit breaker before installing the sensor.
2. Do not allow bare wires to show; Made sure all connections are secure;
Check all the gaskets for watertight fit.
3. Assemble any necessary mounting accessories.
4. Do not install the sensors in the lighting fixtures and places with front of metal shielded.
5. Do not have shelters between sensors to the presence area.



Important start-up information:

1. We reserve the right to necessarily modify any incorrect words or pictures or technical parameters.
2. Do not allow rework the sensor without permission or authorization, otherwise the contract clauses guaranteed will be invalid immediately.
3. The installed sensor should not be attached to the back of the metal, requiring a space of 20MM behind it.