

# ADJUSTABLE WALL PACK

## Installation Guide

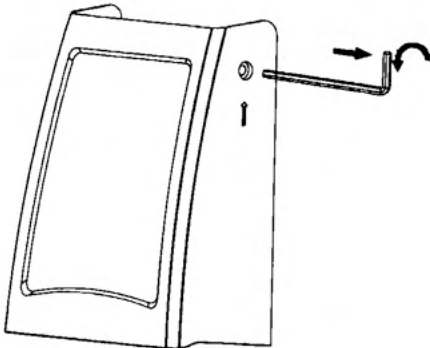
**NOTE:** Read carefully before installation.

This LED Wall-Packs light uses the latest in solid state lighting technology for long life, low maintenance, and high efficiency. An internal power-factor-corrected switch-mode supply allows it to be used from any nominal 120V-347V, 50/60Hz AC supply without any variation in light output. Suitable for use in the following locations:

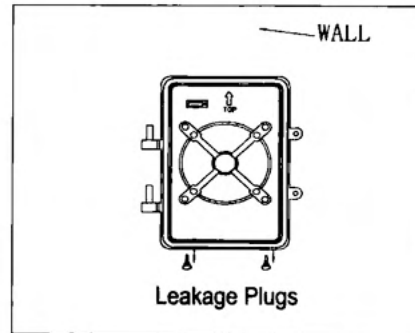
- Ambient Temp: -40~ +50°C
- Wet Locations

**WARNING:**

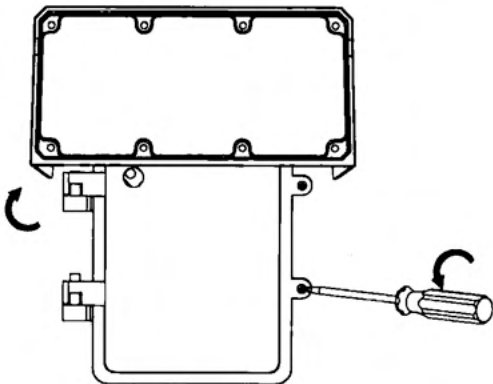
- To avoid the risk of fire or electric shock, this product should be installed, inspected, and maintained by a qualified electrician. In accordance with all applicable electrical codes.
- Be certain electrical power is OFF before and during installation and maintenance.
- Luminaire must be connected to a wiring system with an equipment-grounding conductor.



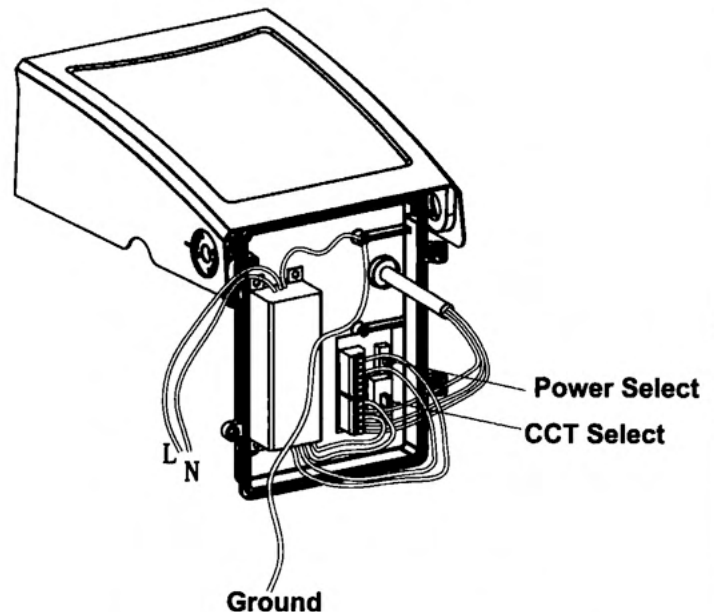
**Step 1:** Loosen the M6 Screw on the front Fixture housing.



**Step 4:** Drill holes according to the size of junction box. Use the level bubble to level the cover and fix it to a sturdy wall. Remove the 2 leakage plugs.



**Step 2:** Use screw driver to open the driver box.



**Step 5:** Select desired CCT & Power by DIP switch.

CCT: 5000K(Default)-4000K-3000K

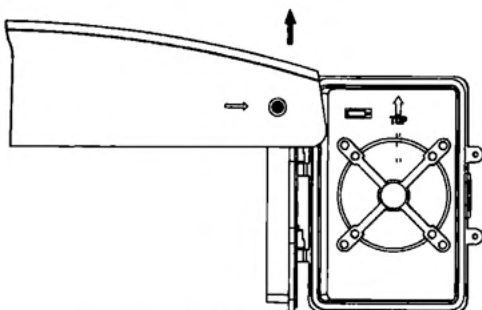
WATT: 35W(Default)-28W-21W

50W(Default)-40W-30W

75W(Default)-60W-45W

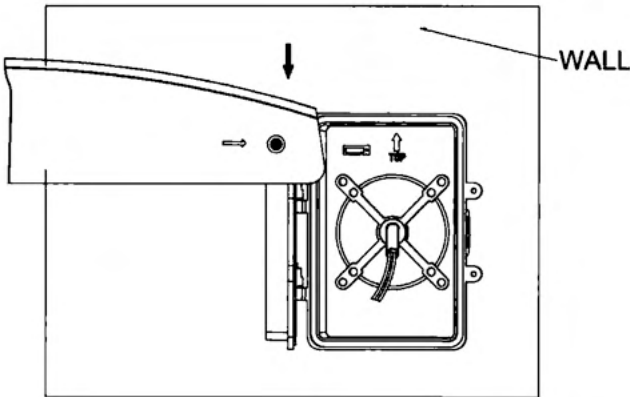
100W(Default)-80W-60W

120W(Default)-96W-72W

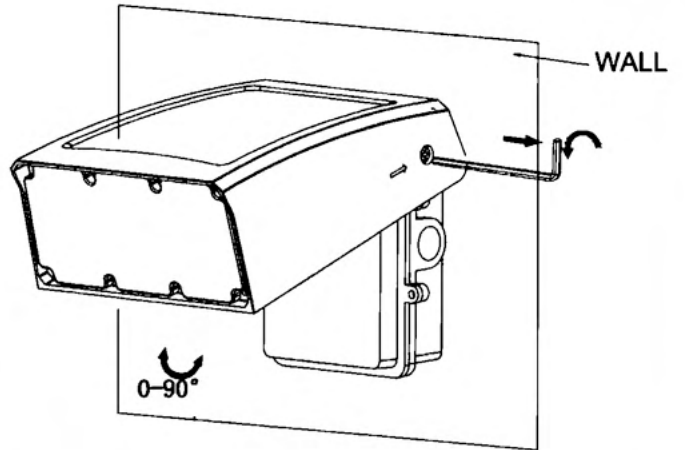


**Step 3:** Remove the fixture front housing from driver box.

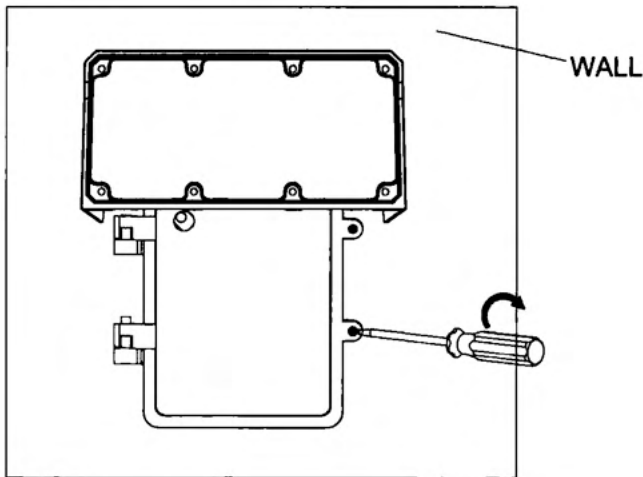
# ADJUSTABLE WALL PACK



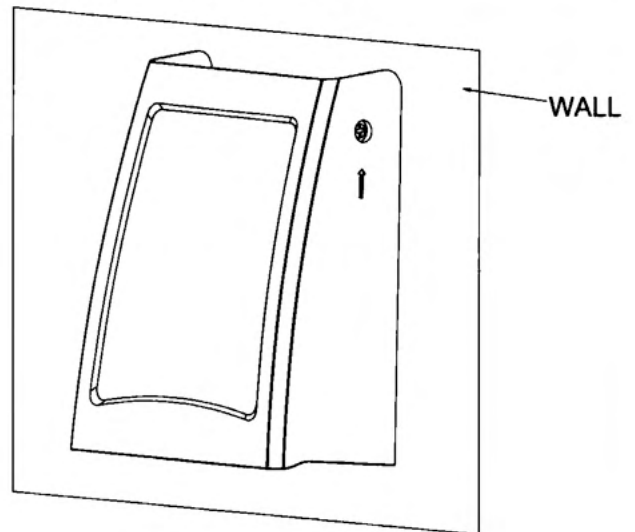
**Step 6: Attache the fixture front housing with driver box. Connect L,N G wires.**



**Step8: Adjust the Fixture front housing to desired angle and tighten the M6 screw.**



**Step 7: Tighten the 2 sides screws.**



**Step 9: Installation is completed.**

## Wiring Diagram:

