

<b>Date</b>		<b>Project</b>	
<b>Type</b>		<b>Part Number</b>	



ALL-IN-ONE PERFORMANCE LIGHTING

# ZENITH Series

## Linear Highbay

The Zenith Series PRIME LED Linear Highbay is our flagship commercial/industrial fixture. Engineered with All-In-One features including Multi Power, Multi CCT, and Dual Voltage, alongside Emergency Backup, Standalone Sensor, and RENO Smart Sensor NLC compatibilities, they are the sleek and lightweight lighting solution for businesses looking to reduce operational costs while enhancing sustainability.



## PRODUCT FEATURES

- DLC Premium
- 0-10V dimming control compatible
- Semi-frosted PMMA lens
- Powder-Coated Steel Body (White)
- Shipped with V-Hooks, Chain & 10 ft cord
- Operating temperature: -40°F to +122°F (-40°C to +50°C)
- Rated Lifespan: L70 ~100,000 hrs
- 10kVA surge protection
- 10 year warranty


 EMERGENCY  
 BACKUP READY

 RENO SMART  
 NLC SYSTEM

 STANDALONE  
 SENSOR OPTIONS

## KEY SPECIFICATIONS

<b>Voltage</b>	120-347V
<b>Wattage</b>	<b>Selectable Wattage</b> <b>R1</b> - 100/125/140W <b>R2</b> - 145/155/175W <b>R3</b> - 180/210/230W <b>R4</b> - 250/300/340W <b>R5</b> - 340/380/420/450W
<b>CCT</b>	3500K, 4000K, 5000K
<b>Efficacy</b>	160 - 177 lm/W
<b>Lumens</b>	17,000 – 76,500 lm
<b>CRI</b>	>80
<b>Power Factor</b>	>0.9
<b>Beam Angle</b>	120°
<b>Dimming</b>	0-10V
<b>Mounting</b>	Surface, Pendant, Suspended
<b>Applications</b>	Commercial, Industrial, Retail Facilities

## SPECIFICATIONS – R1 MULTI POWER (100/125/140W)

Order#	Model	Wattage	Voltage	Lumens	Efficacy	CCT
R34111	RENO-LHB2-DV-MW-MCCT-R1	100W	120-347V	17,000 lm	170 lm/W	3500K
				17,700 lm	177 lm/W	4000K
				17,100 lm	171 lm/W	5000K
		125W	120-347V	20,625 lm	165 lm/W	3500K
				21,625 lm	173 lm/W	4000K
				20,750 lm	166 lm/W	5000K
		140W	120-347V	22,470 lm	160.5 lm/W	3500K
				23,800 lm	170 lm/W	4000K
				22,540 lm	161 lm/W	5000K

## SPECIFICATIONS – R2 MULTI POWER (145/155/175W)

Order#	Model	Wattage	Voltage	Lumens	Efficacy	CCT
R34112	RENO-LHB2-DV-MW-MCCT-R2	145W	120-347V	23,940 lm	171 lm/W	3500K
				24,780 lm	177 lm/W	4000K
				24,080 lm	172 lm/W	5000K
		155W	120-347V	25,885 lm	167 lm/W	3500K
				27,125 lm	175 lm/W	4000K
				26,040 lm	168 lm/W	5000K
		175W	120-347V	28,560 lm	163.2 lm/W	3500K
				30,275 lm	173 lm/W	4000K
				28,700 lm	164 lm/W	5000K

## SPECIFICATIONS – R3 MULTI POWER (180/210/230W)

Order#	Model	Wattage	Voltage	Lumens	Efficacy	CCT
R34113	RENO-LHB2-DV-MW-MCCT-R3	180W	120-347V	29,700 lm	165 lm/W	3500K
				31,500 lm	175 lm/W	4000K
				29,880 lm	166 lm/W	5000K
		210W	120-347V	34,440 lm	164 lm/W	3500K
				36,540 lm	175 lm/W	4000K
				34,650 lm	165 lm/W	5000K
		230W	120-347V	37,605 lm	163.5 lm/W	3500K
				39,790 lm	173 lm/W	4000K
				37,720 lm	164 lm/W	5000K

## SPECIFICATIONS – R4 MULTI POWER (250/300/340W)

Order#	Model	Wattage	Voltage	Lumens	Efficacy	CCT
R34114	RENO-LHB2-DV-MW-MCCT-R4	250W	120-347V	43,000 lm	172 lm/W	3500K
				45,500 lm	182 lm/W	4000K
				44,250 lm	177 lm/W	5000K
		300W	120-347V	50,400 lm	168 lm/W	3500K
				53,400 lm	178 lm/W	4000K
				51,900 lm	173 lm/W	5000K
		340W	120-347V	55,998 lm	164.7 lm/W	3500K
				59,840 lm	176 lm/W	4000K
				57,800 lm	170 lm/W	5000K

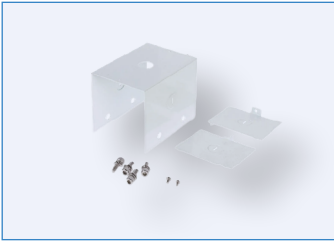
## SPECIFICATIONS – R5 MULTI POWER (340/380/420/450W)

Order#	Model	Wattage	Voltage	Lumens	Efficacy	CCT
R34115	RENO-LHB4-DV-MW-MCCT-R5	340W	120-347V	56,100 lm	165 lm/W	3500K
				58,820 lm	173 lm/W	4000K
				56,440 lm	166 lm/W	5000K
		380W	120-347V	62,320 lm	164 lm/W	3500K
				65,360 lm	172 lm/W	4000K
				62,700 lm	165 lm/W	5000K
		420W	120-347V	68,460 lm	163 lm/W	3500K
				71,820 lm	171 lm/W	4000K
				68,880 lm	164 lm/W	5000K
		450W	120-347V	72,810 lm	161.8 lm/W	3500K
				76,500 lm	170 lm/W	4000K
				73,350 lm	163 lm/W	5000K

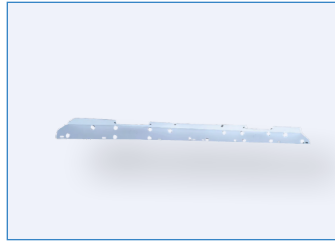
## DLC CERTIFICATION

Order#	Model	Application	DLC Standard	DLC Premium
R34111	RENO-LHB2-DV-MW-MCCT-R1	High-Bay Luminaires for Commercial and Industrial Buildings	–	S-Y5GG1D
R34112	RENO-LHB2-DV-MW-MCCT-R2	High-Bay Luminaires for Commercial and Industrial Buildings	–	S-PPJLMR
R34113	RENO-LHB2-DV-MW-MCCT-R3	High-Bay Luminaires for Commercial and Industrial Buildings	–	S-5KS9TJ
R34114	RENO-LHB2-DV-MW-MCCT-R4	High-Bay Luminaires for Commercial and Industrial Buildings	–	S-XGXWC8
R34115	RENO-LHB4-DV-MW-MCCT-R5	High-Bay Luminaires for Commercial and Industrial Buildings	–	S-7L43NZ

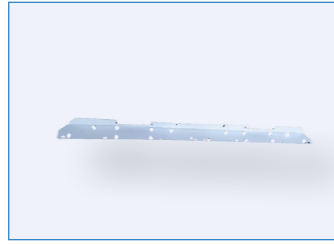
## ACCESSORIES – MOUNTING



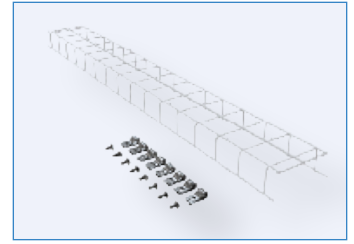
R39301  
RENO-LHB-HPM  
Center box for pendant  
mounting R1



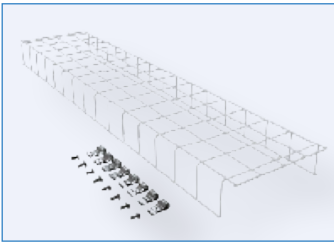
R39305  
RENO-LHB-CK-R1  
Connection Kit for ganging  
Highbays R1



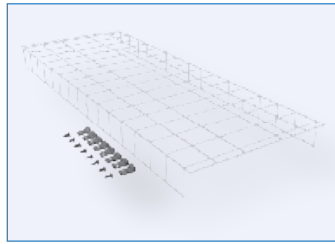
R39306  
RENO-LHB-CK-R2/R3  
Connection Kit for ganging  
Highbays R2/R3



R39303  
RENO-LHB-WG-R1  
Wire guards for linear  
Highbays R1



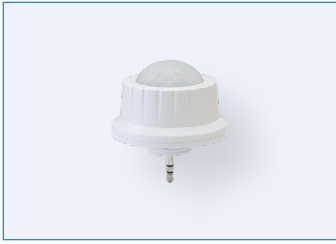
R39304  
RENO-LHB-WG-R2  
Wire guards for linear  
Highbays R2



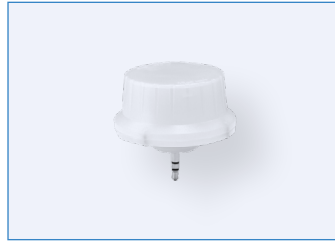
R39308  
RENO-LHB-WG-R3  
Wire guards for linear  
Highbays R3

Order#	Model	Description
R39301	RENO-LBH-HPM	Center box for pendant mounting R1
R39305	RENO-LHB-CK-R1	Connection Kit for ganging Highbays R1
R39306	RENO-LHB-CK-R2/R3	Connection Kit for ganging Highbays R2/R3
R39303	RENO-LHB-WG-R1	Wire guards for linear Highbays R1
R39304	RENO-LHB-WG-R2	Wire guards for linear Highbays R2
R39308	RENO-LHB-WG-R3	Wire guards for linear Highbays R3

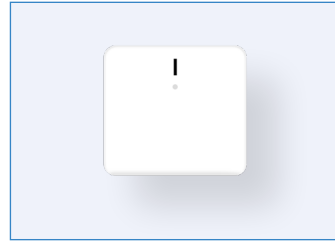
## ACCESSORIES – RENO SMART NLC SENSORS



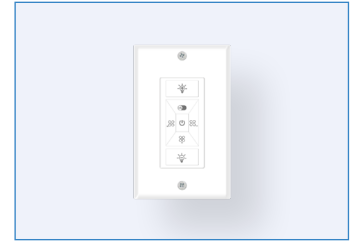
R75001  
RENO-RS-JK-BPDN-12V  
Bluetooth 3.5mm Jack PIR  
Sensor for RENO Smart NLC  
System



R75002  
RENO-RS-JK-BMWM-12V  
Bluetooth 3.5mm Jack  
Microwave Sensor for RENO  
Smart NLC System



R75201  
RENO-RS-GW-BCNW  
Ceiling Mounted Gateway for  
RENO Smart NLC System



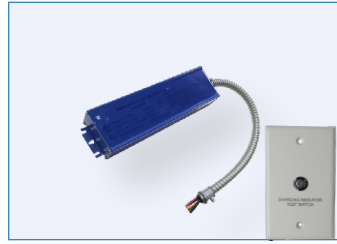
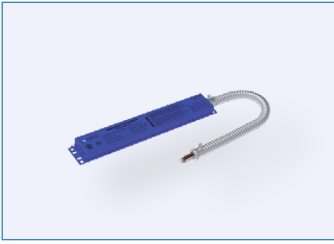
R75302  
RENO-RS-RC-BNNG  
7-Key Smart Wall Switch for  
RENO Smart NLC System



R75301  
RENO-RS-RC-BNNG  
5-Key Reset Remote Controller

Order#	Model	Description
R75001	RENO-RS-JK-BPDN-12V	Bluetooth 3.5mm Jack PIR Sensor for RENO Smart NLC System
R75002	RENO-RS-JK-BMWM-12V	Bluetooth 3.5mm Jack Microwave Sensor for RENO Smart NLC System
R75201	RENO-RS-GW-BCNW	Ceiling Mounted Gateway for RENO Smart NLC System
R75302	RENO-RS-RC-BNNG	7-Key Smart Wall Switch for RENO Smart NLC System
R75301	RENO-RS-RC-BNNG	5-Key Reset Remote Controller

## ACCESSORIES – EMERGENCY LED DRIVERS



R83002  
RENO-EM-H25  
Emergency LED Driver  
(100-347V AC, 50-60Hz, 25W)

R83003  
RENO-EM-H40 (with test switch)  
Emergency LED Driver  
(100-347V AC, 50-60Hz, 40W)

Order#	Model	Description
R83002	RENO-EM-H25	Emergency LED Driver (100-347V AC, 50-60Hz, 25W)
R83003	RENO-EM-H40	Emergency LED Driver (100-347V AC, 50-60Hz, 25W) - with test switch

## ACCESSORIES – STANDALONE SENSOR & REMOTES



R71002  
RENO-SENSOR-MW-H  
Bi-level dim sensor for linear  
Highbays

R74004  
RENO-SENSOR-PIR3.5-PH15M  
Long Detection Range PIR  
Sensor

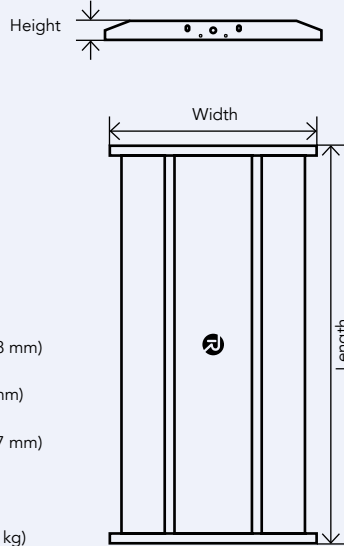
R73002  
RENO-REMOTE-H  
Remote Control for Standalone  
Sensors (With Screen)

R73005  
RENO-REMOTE-H-ECO  
Remote Control for Standalone  
sensors (Without Screen)

Order#	Model	Description
R71002	RENO-SENSOR-MW-H	Bi-level dim sensor for linear Highbays
R74004	RENO-SENSOR-PIR3.5-PH15M	Long Detection Range PIR Sensor
R73002	RENO-REMOTE-H	Remote Control for Standalone Sensors (With Screen) Note: Only 1 needed per project.
R73005	RENO-REMOTE-H-ECO	Remote Control for Standalone sensors (Without Screen) Note: Only 1 needed per project

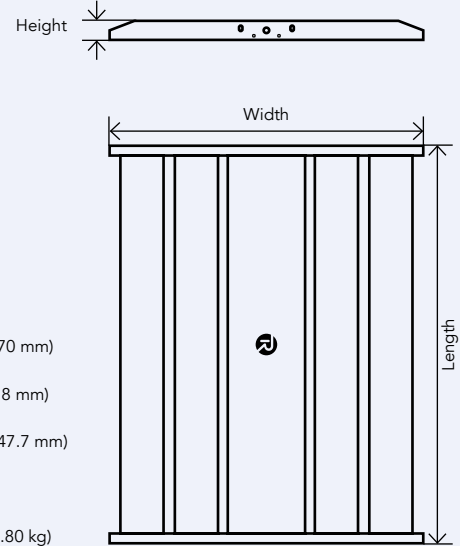
## DIMENSIONS

**R1 - RENO-LHB2-DV-MW-MCCT-R4**



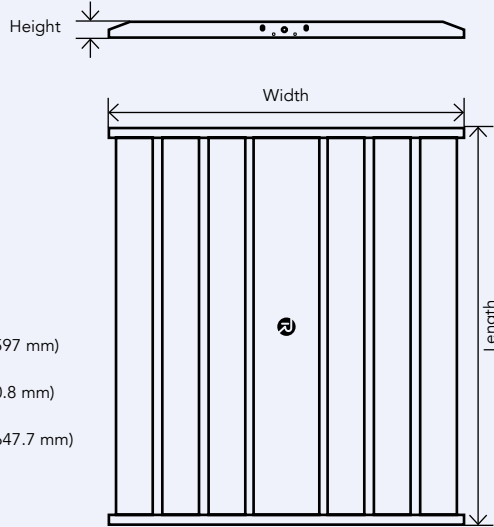
Width: 14.6" (370.8 mm)  
 Height: 2.0" (50.8 mm)  
 Length: 25.5" (647.7 mm)  
 Weight: 11 lbs (4.98 kg)

**R2 - RENO-LHB2-DV-MW-MCCT-R2**



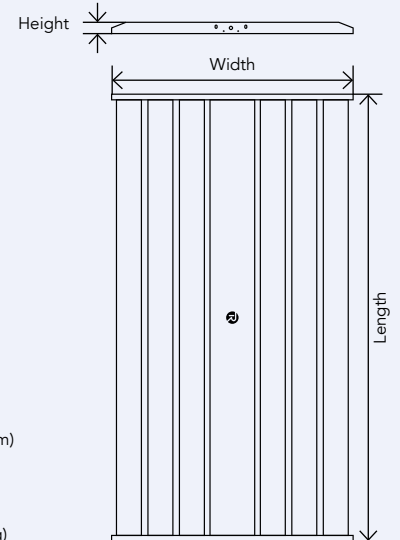
Width: 18.5" (470 mm)  
 Height: 2.0" (50.8 mm)  
 Length: 25.5" (647.7 mm)  
 Weight: 15 lbs (6.80 kg)

**R3 - RENO-LHB2-DV-MW-MCCT-R3**  
**R4 - RENO-LHB2-DV-MW-MCCT-R4**



Width: 23.5" (597 mm)  
 Height: 2.0" (50.8 mm)  
 Length: 25.5" (647.7 mm)  
 Weight: 19 lbs (8.62 kg)

**R5 - RENO-LHB4-DV-MW-MCCT-R5**



Width: 23.5" (597 mm)  
 Height: 2.0" (50.8 mm)  
 Length: 48" (1,219.2 mm)  
 Weight: 48 lbs (21.77 kg)