



Date		Project	
Type		Part Number	

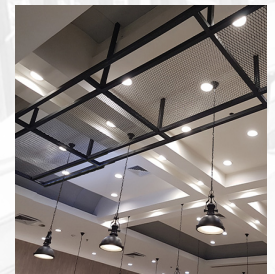
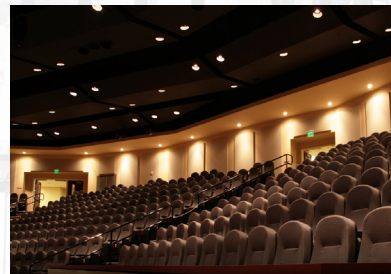
ARCHITECTURAL LUMINAIRES BY RENO LIGHTING

# ZETA Series

## Aluminum Commercial Downlight



RENO Lighting's Aluminium Reflector Multifunctional Downlight is a high-performance, commercial-grade fixture designed for versatile lighting applications. The fixture includes adjustable wattages and color temperatures for tailored lighting, and supports both 0-10V and TRIAC dimming, providing flexible control options to meet a wide range of lighting needs.



### Product Features

- Energy-Star, JA8 compliant
- Suitable for Type-IC on models: 4", 6", 8" & 10"
- Aluminum Can with Polycarbonate Lens
- External spring arms install to mounting surface without the need for a traditional recessed can
- Flexibility in Dimming Control: Supports both 0-10V and TRIAC dimming (120V)
- Damp location rated (Wet location under covered ceiling)
- Operating temperature: -4°F to 113°F
- Rated Lifetime L70(hrs): >50,000 (-20°C to 45°C)
- 10 year limited warranty

### Key Specifications

<b>Voltage</b>	120-347V
<b>Wattage</b>	Selectable Wattage: 4" - 6/9/13W 6" - 13/19/27W 8" - 18/27/36W 10" - 20/30/40W
<b>Efficacy</b>	135 lm/W
<b>CCT</b>	Selectable: 27/30/35/40/5000K
<b>CRI</b>	>93
<b>Lumens</b>	Up to 3,720 lm
<b>Beam Angle</b>	89° & 97°
<b>Dimming</b>	0-10V & TRIAC 120V
<b>Mounting</b>	Recessed Ceiling
<b>Applications</b>	Office, Lobbies, Commercial, Retail Facilities



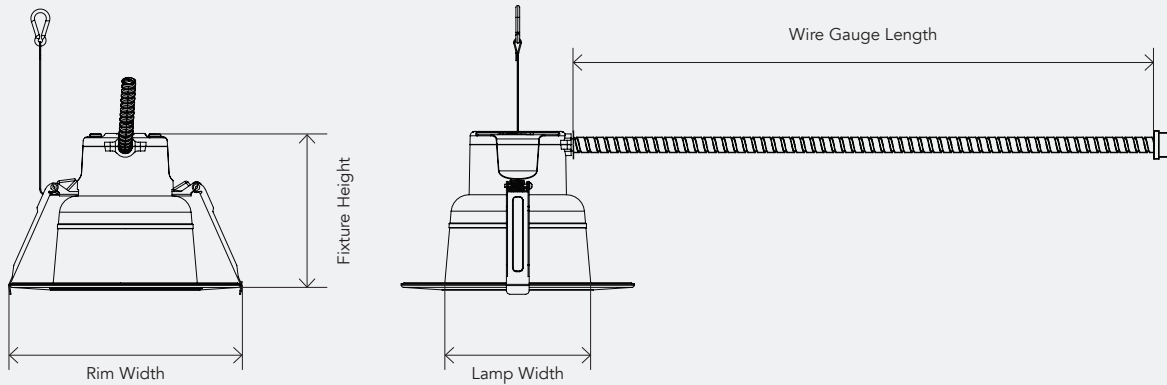
# ZETA Series | Aluminum Commercial Downlight

ARCHITECTURAL LUMINAIRES BY RENO LIGHTING

## Specifications

Order#	Model	Size	Wattage	Voltage	Lumens	CCT	Beam
R36221	RENO-DL4-MW-DV-MCCT-AL	4.0"	6/9/13W	120V-347V	558/837/1,209 lm	27/30/35/40/5000K	89°
R36222	RENO-DL6-MW-DV-MCCT-AL	6.0"	13/19/27W	120V-347V	1,209/1,767/2,511 lm	27/30/35/40/5000K	97°
R36223	RENO-DL8-MW-DV-MCCT-AL	8.0"	18/27/36W	120V-347V	1,674/2,511/3,348 lm	27/30/35/40/5000K	97°
R36224	RENO-DL10-MW-DV-MCCT-AL	10.0"	20/30/40W	120V-347V	1,860/2,790/3,720 lm	27/30/35/40/5000K	97°

## Dimensions



	4.0"	6.0"	8.0"	10.0"
<b>Lamp Width Ø:</b>	4.13" (105 mm)	5.36" (136 mm)	6.54" (166 mm)	7.45" (129 mm)
<b>Rim Width Ø:</b>	5.91" (150 mm)	8.27" (210 mm)	10.24" (260 mm)	11.22" (285 mm)
<b>Fixture Height:</b>	5.57" (141.5 mm)	5.62" (142.75 mm)	6.29" (160 mm)	6.76" (171.75 mm)
<b>Wire Gauge Length:</b>	25.59" (650 mm)	25.59" (650 mm)	25.59" (650 mm)	25.59" (650 mm)
<b>Min. Cut-out Ø:</b>	4.33" (110 mm)	5.91" (150 mm)	7.48" (190 mm)	8.27" (210 mm)
<b>Max. Cut-out Ø:</b>	5.51" (140 mm)	7.48" (190 mm)	9.45" (240 mm)	10.24" (260 mm)

