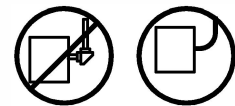


# INSTALLATION INSTRUCTIONS FOR LED PICTOGRAM EXIT SIGN

## IMPORTANT SAFEGUARDS READ AND FOLLOW ALL SAFETY INSTRUCTIONS

1. Review the diagrams thoroughly before beginning.
2. All electrical connections must be in accordance with local codes, ordinances, and the National Electric code.
3. Disconnect power at fuse or circuit breaker before installing or servicing.
4. Do not use outdoors.
5. Do not mount in hazardous locations, or near gas or electric heaters.
6. Do not let power cords touch hot surface.
7. Equipment should be mounted in locations and at heights where it will not be subjected to tampering by unauthorized personnel.
8. The use of accessory equipment not recommend by the manufacturer may cause an unsafe condition.
9. Do not use this equipment for other than intended use.
10. All servicing should be performed by a qualified personnel only.
11. Allow battery to charge for 24 hours before first use.

**Use Flexible Conduit Only**



## SAVE THESE INSTRUCTIONS

### Wiring Diagram (see Fig 1)

#### AC Wiring

Connect the white wire to neutral.  
For 120-347V connect the black wire to the hot lead.  
Cap the unused lead.

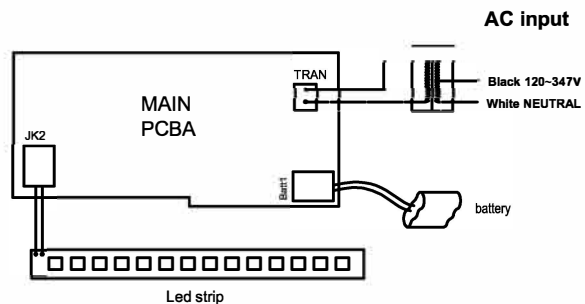
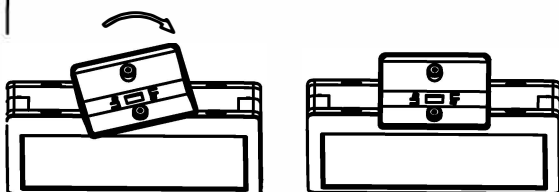


Fig 1

### Canopy Assembly (see Fig 2)



Insert canopy into housing at 20 degree angle and twist.  
Quick snap is now locked firmly.

**CAUTION:** Trying to remove canopy is locked in place may cause damage.

Fig 2

## Mounting Instruction

*The fixture suitable for wall mounting, side mounting, ceiling mounting.*

1. Open front cover by blade screwdriver (see Fig 3).
2. Knockout appropriate mount screw hole and cable hole, mount back plate on the wall after feed building AC supply cable into back plate(see Fig 4).
3. For ceiling and side mounting purpose, remove the mounting hole cover on the top or side of the unit (see Fig 4,5,6), assemble the canopy on the unit (see Fig 2).
4. Attach crossbar to junction box, set the longer blade of crossbar touching the J-Box.
5. Route the proper wires through mounting hole out of housing.
6. Make electrical connections inside the J-Box as wiring diagram (see Fig 1).
7. Push excess wire into J-Box, use screws tighten canopy to crossbar so that canopy is securely fastened and tight against the wall.
8. Attach battery connector to PC board, restore front cover on unit.
9. If pictogram direction assembled not suitable, pictogram can take out for change direction or replace pictogram, and then insert into the diffuser easily(See Fig 7).

### Open Front Cover

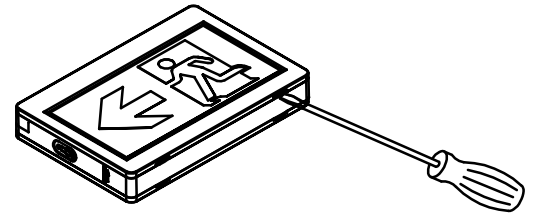


Fig 3

### Wall mounting

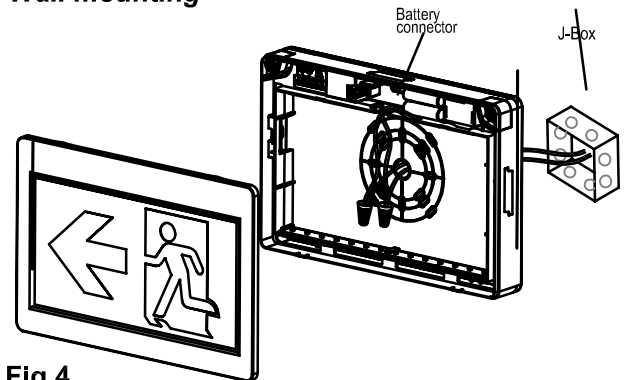


Fig 4

### Ceiling mounting

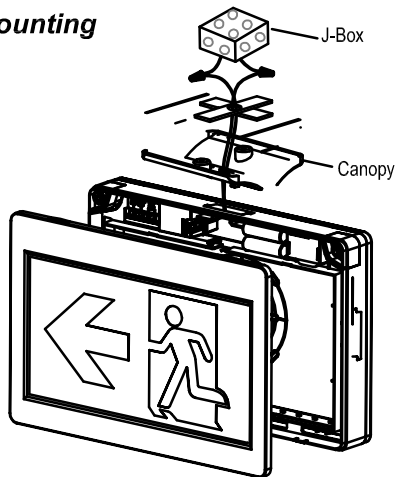


Fig 6

### Side mounting

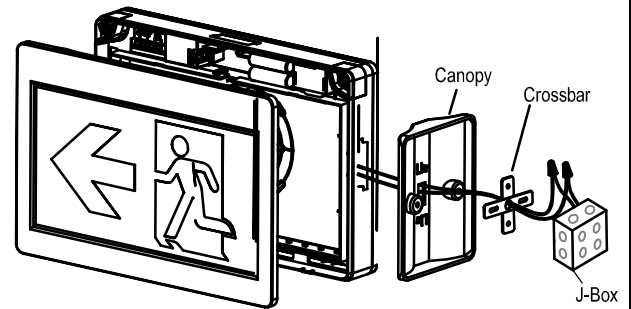


Fig 5

### Change direction of pictogram

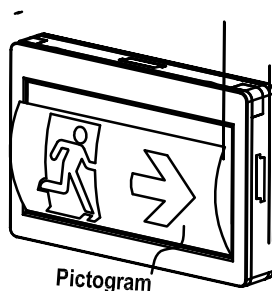


Fig 7