

<b>Date</b>		<b>Project</b>	
<b>Type</b>		<b>Part Number</b>	

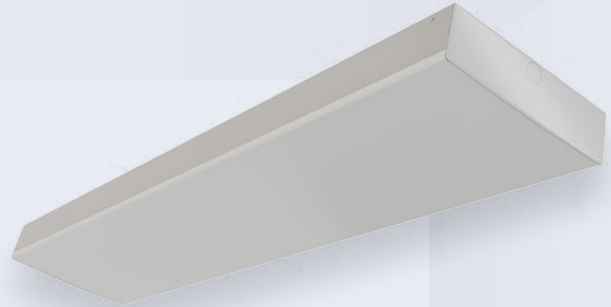


ALL-IN-ONE PERFORMANCE LIGHTING

# HELIOS Series

## Wrap Around Fixture with Microwave Sensor

The Helios series embraces a minimalist design while providing a wide array of features making this fixture adaptable to any indoor application. Utilize the colour and wattage selections built into the fixture to create the perfect look. Easy to install and built to last, this series is sure to impress.



## PRODUCT FEATURES

- Integrated Microwave Sensor
- Factory Default Sensor Settings: Dim to 30% after 5 mins no motion. Remains until Motion Detected
- Remote needed to configure settings outside of factory default range
- The max. height this fixture can be mounted for optimal sensor function is 13ft. If mounted above this height, motion will not be detected as precisely.
- Includes Coverplate and V-Hangers
- Surface or Suspension Mounting options
- Frosted Polycarbonate Lens
- 0-10V Continuous Dimming
- Operating temperature: -22°F to 122°F (-30°C to 50°C)
- Suitable for Damp Locations
- Rated Lifespan: L70 ~100,000 hrs
- 10 year limited warranty

## KEY SPECIFICATIONS

<b>Voltage</b>	120-347V
<b>Wattage</b>	Selectable: 2ft - 12/15/18/22W 4ft - 22/28/34/44W
<b>Length</b>	2 & 4ft
<b>Power Factor</b>	>0.9
<b>CCT</b>	Selectable: 35/40/5000K
<b>CRI</b>	>80
<b>Lumens</b>	Up to 5,038 lm
<b>Beam Angle</b>	120°
<b>Dimming</b>	0-10V
<b>Mounting</b>	Surface or Suspension
<b>Applications</b>	Commercial, Warehouses, Offices, Retail Facilities


 EMERGENCY  
 BACKUP READY

 RENO SMART  
 NLC SYSTEM

 STANDALONE  
 SENSOR OPTIONS

## SPECIFICATIONS – 2FT MULTI POWER (12/15/18/22W)

Order#	Model	Wattage	Voltage	Lumens	Efficacy	CCT
R38003	RENO-HWR2-DV-MW-MCCT-MS	12W	120-347V	1,441 lm	120 lm/W	3500K
				1,500 lm	125 lm/W	4000K
				1,479 lm	123 lm/W	5000K
		15W	120-347V	1,734 lm	116 lm/W	3500K
				1,813 lm	120 lm/W	4000K
				1,772 lm	118 lm/W	5000K
		18W	120-347V	2,047 lm	114 lm/W	3500K
				2,156 lm	120 lm/W	4000K
				2,100 lm	116 lm/W	5000K
		22W	120-347V	2,407 lm	109 lm/W	3500K
				2,549 lm	116 lm/W	4000K
				2,468 lm	112 lm/W	5000K

## SPECIFICATIONS – 4FT MULTI POWER (22/28/34/44W)

Order#	Model	Wattage	Voltage	Lumens	Efficacy	CCT
R38004	RENO-HWR4-DV-MW-MCCT-MS	22W	120-347V	2,585 lm	117 lm/W	3500K
				2,633 lm	120 lm/W	4000K
				2,595 lm	118 lm/W	5000K
		28W	120-347V	3,259 lm	116 lm/W	3500K
				3,346 lm	120 lm/W	4000K
				3,275 lm	117 lm/W	5000K
		34W	120-347V	4,038 lm	119 lm/W	3500K
				4,186 lm	123 lm/W	4000K
				4,074 lm	120 lm/W	5000K
		44W	120-347V	4,829 lm	110 lm/W	3500K
				5,038 lm	115 lm/W	4000K
				4,860 lm	110 lm/W	5000K

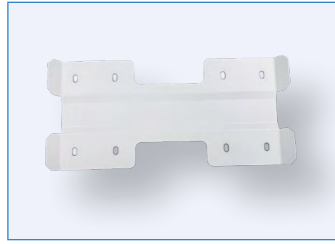
## DLC CERTIFICATION

Order#	Model	Application	DLC Standard	DLC Premium
R38003	RENO-HWR2-DV-MW-MCCT-MS	Stairwell and Passageway	–	S-SVFDX3
R38004	RENO-HWR4-DV-MW-MCCT-MS	Stairwell and Passageway	–	S-YFJEOI

## ACCESSORIES – MOUNTING



R39204  
RENO-RP  
Aircraft Cable for Suspension



R39448  
RENO-HWR-CONNECTOR  
Ganging Connector for  
Traditional Wrap Fixtures  
\* Sold separately

Order#	Model	Description
R39204	RENO-RP	Suspension Kit for Fixture Suspension
R39448	RENO-HWR-CONNECTOR	Ganging Connector (Sold Separately)

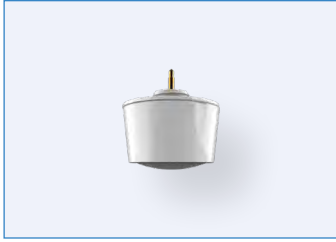
## ACCESSORIES – EMERGENCY LED DRIVERS



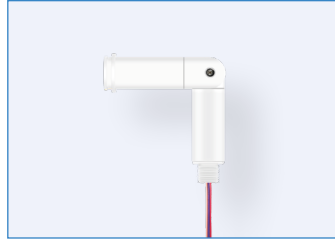
R83004  
RENO-EM-C08  
Emergency LED Driver  
(100-347V AC, 50-60Hz, 8W)

Order#	Model	Description
R83004	RENO-EM-C08	Internal Mount Emergency Driver, 8W Output, ≥90 Minutes Operating Time

## ACCESSORIES – STANDALONE SENSOR & REMOTES



R74004  
RENO-SENSOR-PIR3.5-PH15M  
Long Detection Range PIR  
Sensor



R75103  
RENO-RS-JK-AD-CORD-L  
Adjustable 3.5mm Jack to  
Hardwire " L " Angle Adaptor



R73002  
RENO-REMOTE-H  
Remote Control for Standalone  
Sensors (With Screen)



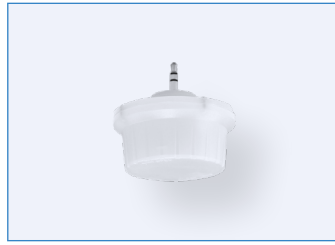
R73005  
RENO-REMOTE-H-ECO  
Remote Control for Standalone  
Sensors (Without Screen)

Order#	Model	Description
R74004	RENO-SENSOR-PIR3.5-PH15M	Long Detection Range PIR Sensor for Heights up to 50ft
R75103	RENO-RS-JK-AD-CORD-L	Adjustable 3.5mm Jack to Hardwire " L " Angle Adaptor
R73002	RENO-REMOTE-H	Remote Control for Standalone Sensors (With Screen) Note: Only 1 needed per project
R73005	RENO-REMOTE-H-ECO	Remote Control for Standalone Sensors (Without Screen) Note: Only 1 needed per project

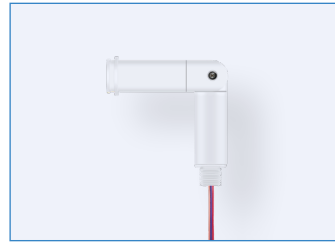
## ACCESSORIES – RENO SMART NLC SENSORS



R75001  
RENO-RS-JK-BPDN-12V  
Bluetooth 3.5mm Jack PIR  
Sensor



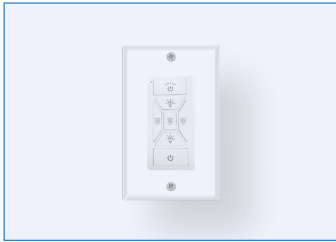
R75002  
RENO-RS-JK-BMWM-12V  
Bluetooth 3.5mm Jack  
Microwave Sensor



R75103\*  
RENO-RS-JK-AD-CORD-L  
Hardwire Adjustable "L" Angle  
Adaptor for 3.5mm Jack Sensors



R75201  
RENO-RS-GW-BCNW  
Ceiling Mounted Gateway



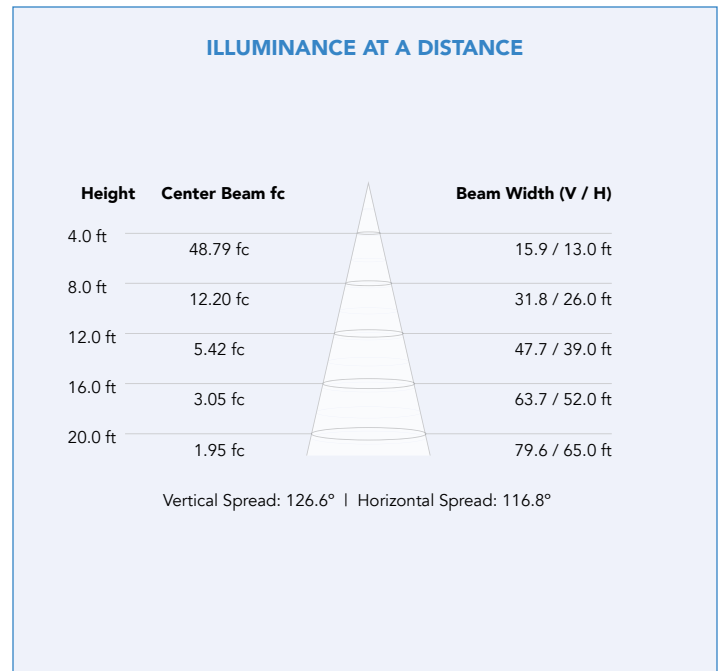
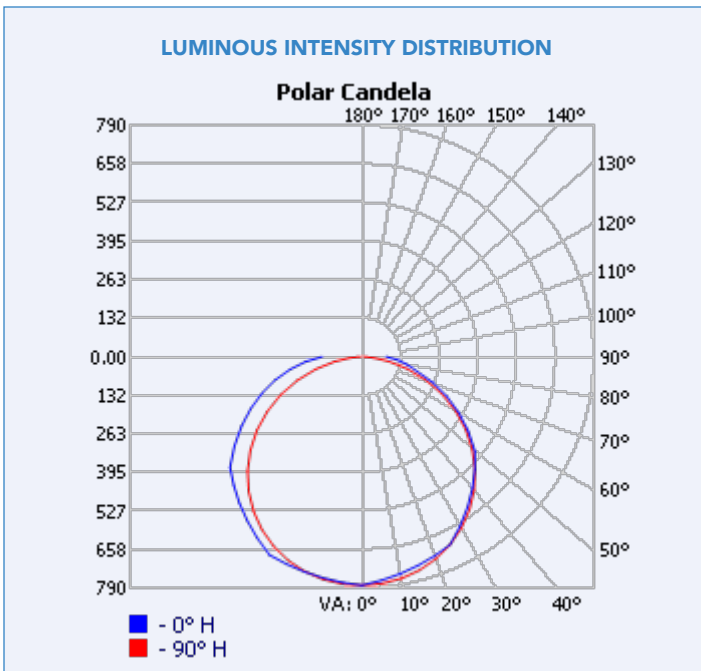
R75302  
RENO-RS-RC-BNNG  
7-Key Smart Wall Switch



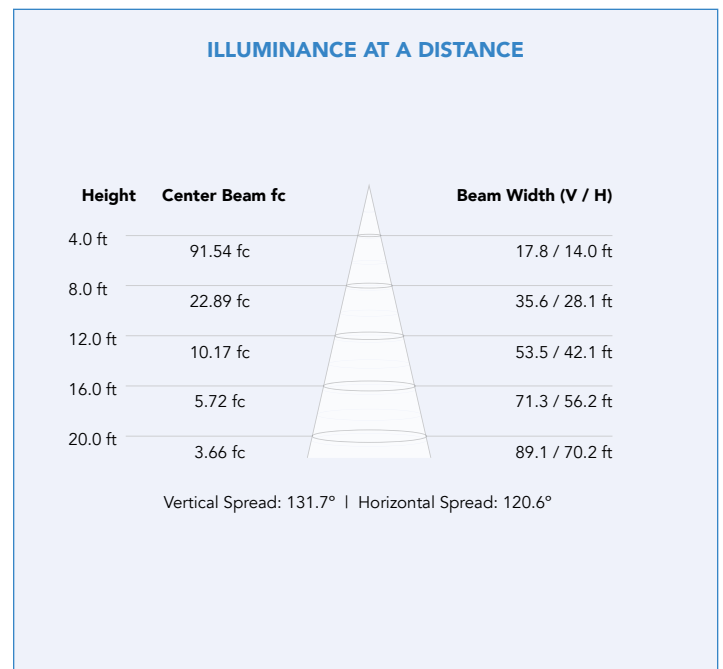
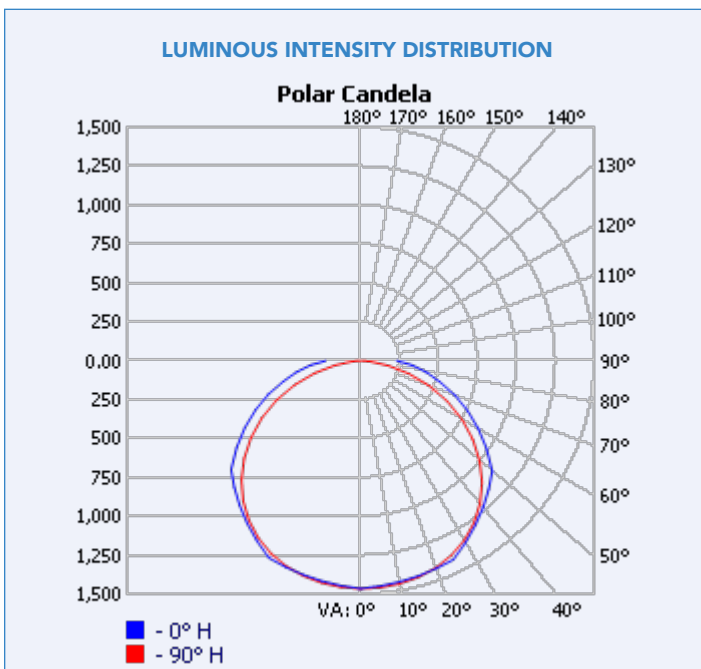
R75301  
RENO-RS-RC-BNNN  
5-Key Reset Remote

Order#	Model	Description
R75001	RENO-RS-JK-BPDN-12V	Bluetooth 3.5mm Jack PIR Sensor for RENO Smart NLC System (*Requires R75103)
R75002	RENO-RS-JK-BMWM-12V	Bluetooth 3.5mm Jack Microwave Sensor for RENO Smart NLC System (*Requires R75103)
R75103*	RENO-RS-JK-AD-CORD-L	Hardwire Adjustable "L" Angle Adaptor for 3.5mm Jack Sensors
R75201	RENO-RS-GW-BCNW	Ceiling Mounted Gateway for RENO Smart NLC System
R75302	RENO-RS-RC-BNNG	7-Key Smart Wall Switch for RENO Smart NLC System
R75301	RENO-RS-RC-BNNN	5-Key Reset Remote

## PHOTOMETRICS - 2FT 22W/4K

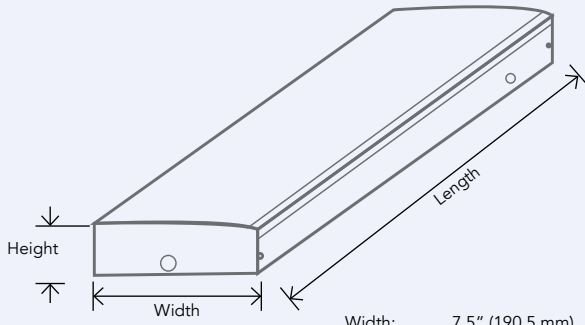


## PHOTOMETRICS - 4FT 44W/4K



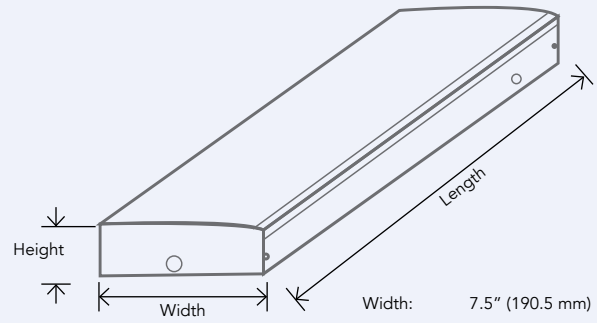
## DIMENSIONS

**2FT**



Width: 7.5" (190.5 mm)  
 Height: 3.0" (76.2 mm)  
 Length: 24.5" (622.3 mm)  
 Weight: 2 lbs (0.91 kg)

**4FT**



Width: 7.5" (190.5 mm)  
 Height: 3.0" (76.2 mm)  
 Length: 49" (1244.6 mm)  
 Weight: 3 lbs (1.36 kg)