

INSTRUCTIONS FOR THE FOLLOWING FIXTURES

| ORDER# | MODEL# |
|--------|--------------------------------|
| R51210 | RENO-SFWP-DV-MCCT-ABA-G2-R1-BK |
| R51211 | RENO-SFWP-DV-MCCT-ABA-G2-R1-WH |
| R51212 | RENO-SFWP-DV-MCCT-ABA-G2-R2-BK |
| R51213 | RENO-SFWP-DV-MCCT-ABA-G2-R2-WH |
| R51214 | RENO-SFWP-DV-MCCT-ABA-G2-R3-BK |
| R51215 | RENO-SFWP-DV-MCCT-ABA-G2-R3-WH |

WARNING

PLEASE READ ALL INSTRUCTIONS BEFORE ATTEMPTING INSTALLATION

SAFETY: This fixture must be wired in accordance with the national electrical code and applicable local codes and ordinances. Proper grounding is required to insure personal safety. Carefully observe the grounding procedure under installation section. All work should be done by a qualified electrician.

> **RISK OF ELECTRIC SHOCK** - Disconnect power at fuse or circuit breaker before installing or servicing.

> **RISK OF PERSONAL INJURY** - Fixture may become damaged and/or unstable if not installed properly. Tighten all fixture components to their recommended torque values.

WARNING: Make certain power is **OFF** before starting installation or attempting any maintenance.

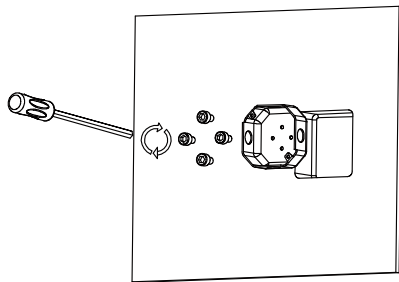


Fig 1

1. Install standard junction box base on the wall.
(PS: Junction box is not included)

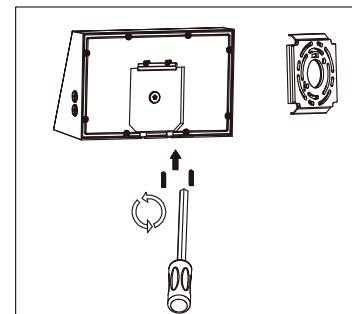


Fig 2

2. Use the Hex Wrench to loose screws and take apart the mouting bracket from fixture.

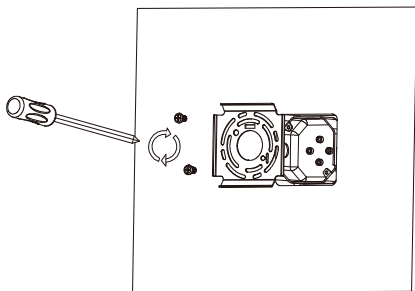


Fig 3

3. Install the mounting bracket to the junction box.

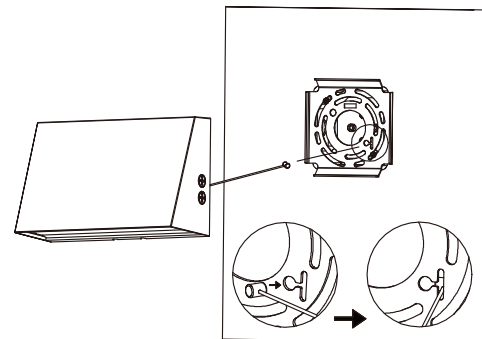


Fig 4

4. Attach the safety cable to the bracket to hold the fixture onto the wall.

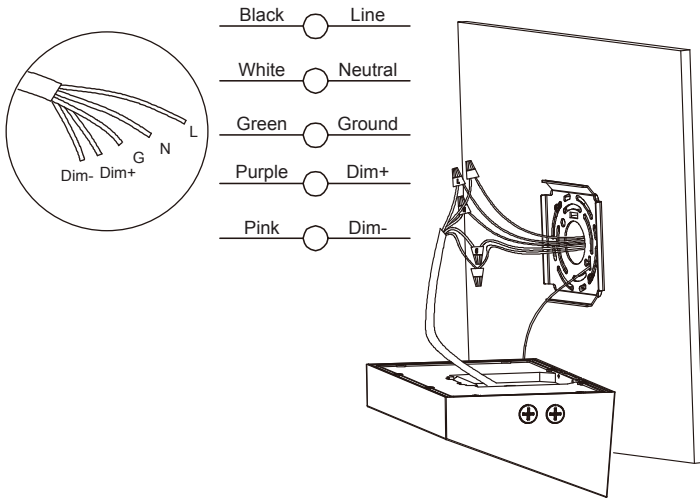


Fig 5

5. Connect wires according to wire diagram.

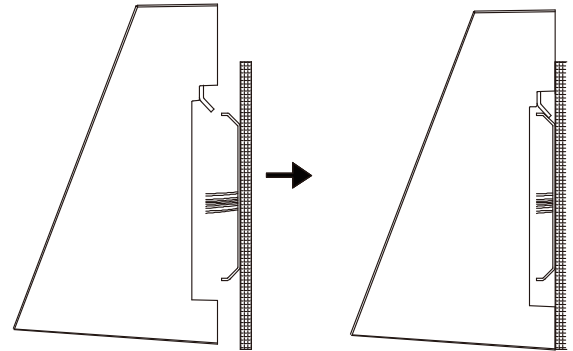


Fig 6

6. Install the fixture onto the bracket.

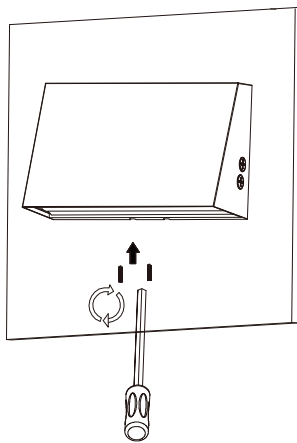


Fig 7

7. Fasten the fixture by Hex Wrench.

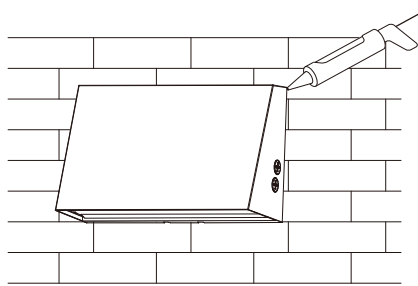


Fig 8

8. Apply silicone sealer around the fixture where it meets the wall to prevent water entry.

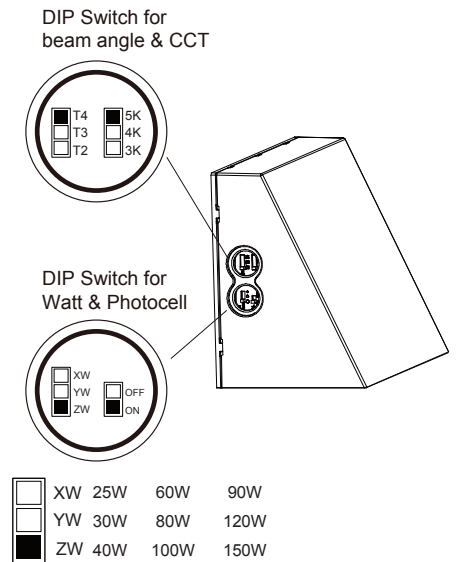


Fig 9

9. Choose your desired wattage and color temperature by the DIP switch.