

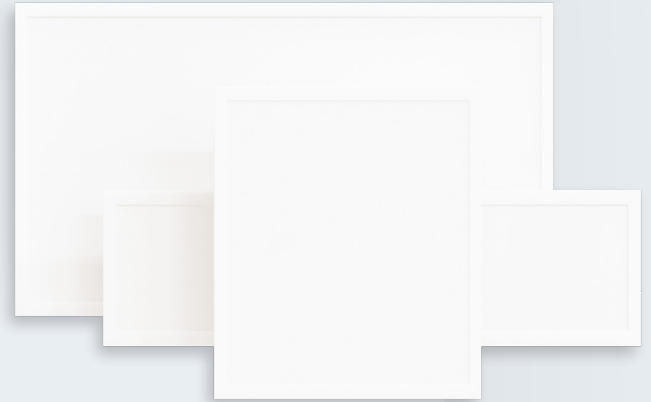
Date		Project	
Type		Part Number	

PRIME R ALL-IN-ONE PERFORMANCE LIGHTING

AIM Series

Backlit Flat Panel

RENO Lighting's Aim series backlit flat panel is a versatile lighting fixture. With even light distribution and a seamless design, the Aim Series technologies allow for numerous configurations of light in one fixture, making it extremely versatile to suit various application needs. This panel is proven efficient and provides uniform light with a long maintenance-free life.



PRODUCT FEATURES

- DLC Premium
- Surface Mount, T-Grid, or Suspended Installation
- Backlit technology that offers even light distribution without shadowing
- Available in 1x4, 2x2, & 2x4
- Damp location suitable
- Rated Lifespan: L70 ~100,000 hrs
- Operational Temperature: -4°F to +122°F (-20°C to +50°C)
- 10 year limited warranty

KEY SPECIFICATIONS

Voltage	120-347V
Wattage	Selectable Wattages 1x4: 20/30/40W 2x2: 20/30/40W 2x4: 30/40/50W
Sizes	1x4, 2x2, & 2x4
Power Factor	>0.9
CCT	Selectable CCT 35/40/5000K
CRI	>80
Lumens	2,500 - 6,455 lm
Beam Angle	125°
Dimming	0-10V
Mounting	Surface, T-Grid, Suspension
Applications	Commercial, Residential, Warehouse, Retail Facilities



EMERGENCY
BACKUP READY

SPECIFICATIONS – 1X4 MULTI POWER (20/30/40W)

Order#	Model	Wattage	Voltage	Lumens	Efficacy	CCT
R35305	RENO-14BLPL-DV-MW-MCCT	20W	120-347V	2,500 lm	125 lm/W	3500K
				2,600 lm	130 lm/W	4000K
				2,540 lm	127 lm/W	5000K
		30W	120-347V	3,750 lm	125 lm/W	3500K
				3,900 lm	130 lm/W	4000K
				3,810 lm	127 lm/W	5000K
		40W	120-347V	5,008 lm	125 lm/W	3500K
				5,200 lm	130 lm/W	4000K
				5,080 lm	127 lm/W	5000K

SPECIFICATIONS – 2X2 MULTI POWER (20/30/40W)

Order#	Model	Wattage	Voltage	Lumens	Efficacy	CCT
R35306	RENO-22BLPL-DV-MW-MCCT	20W	120-347V	2,500 lm	125 lm/W	3500K
				2,600 lm	130 lm/W	4000K
				2,540 lm	127 lm/W	5000K
		30W	120-347V	3,750 lm	125 lm/W	3500K
				3,900 lm	130 lm/W	4000K
				3,810 lm	127 lm/W	5000K
		40W	120-347V	5,008 lm	125 lm/W	3500K
				5,200 lm	130 lm/W	4000K
				5,080 lm	127 lm/W	5000K

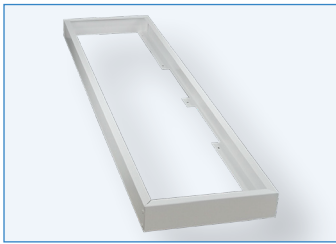
SPECIFICATIONS – 2X4 MULTI POWER (30/40/50W)

Order#	Model	Wattage	Voltage	Lumens	Efficacy	CCT
R35307	RENO-24BLPL-DV-MW-MCCT	30W	120-347V	3,989 lm	133 lm/W	3500K
				4,128 lm	137 lm/W	4000K
				4,052 lm	135 lm/W	5000K
		40W	120-347V	5,081 lm	127 lm/W	3500K
				5,306 lm	132 lm/W	4000K
				5,170 lm	129 lm/W	5000K
		50W	120-347V	6,138 lm	122 lm/W	3500K
				6,455 lm	129 lm/W	4000K
				6,242 lm	124 lm/W	5000K

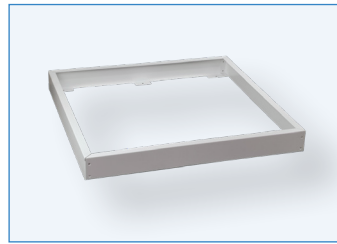
DLC CERTIFICATION

Order#	Model	Application	DLC Standard	DLC Premium
R35305	RENO-14BLPL-DV-MW-MCCT	Low-Bay Luminaires for Commercial and Industrial Buildings	-	S-THV8ND
		Luminaires for Ambient Lighting of Interior Commercial Spaces	-	S-SSP5BM
R35306	RENO-22BLPL-DV-MW-MCCT	Low-Bay Luminaires for Commercial and Industrial Buildings	-	S-ZT3XBM
		Luminaires for Ambient Lighting of Interior Commercial Spaces	-	S-LSCZW2
R35307	RENO-24BLPL-DV-MW-MCCT	Low-Bay Luminaires for Commercial and Industrial Buildings	-	S-8YG1XC
		Luminaires for Ambient Lighting of Interior Commercial Spaces	-	S-M3FB9P

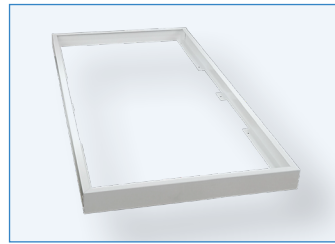
ACCESSORIES



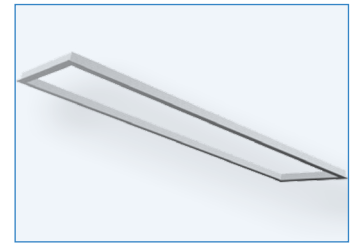
R39201
RENO-SMK14
1X4 Surface Mount Frame



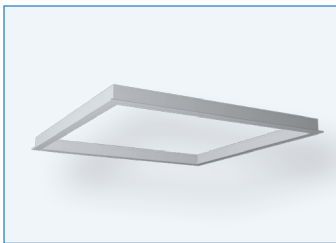
R39202
RENO-SMK22
2X2 Surface Mount Frame



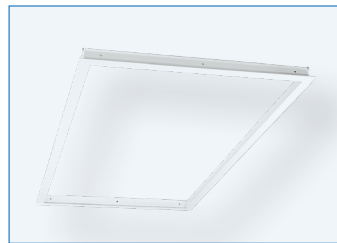
R39203
RENO-SMK24
2X4 Surface Mount Frame



R39211
RENO-RFK14
1X4 Recessed Flange Kit



R39212
RENO-RFK22
2X2 Recessed Flange Kit



R39213
RENO-RFK24
2X4 Recessed Flange Kit



R39204
RENO-RP-ROPE
Aircraft Suspension Cable



R39114
RENO-BLPL-JB
Expansion junction box

Order#	Model	Description
R39201	RENO-SMK14	1'x4' Surface Mount Frame
R39202	RENO-SMK22	2'x2' Surface Mount Frame
R39203	RENO-SMK24	2'x4' Surface Mount Frame
R39211	RENO-RFK14	1'x4' Recessed Flange Kit
R39212	RENO-RFK22	2'x2' Recessed Flange Kit
R39213	RENO-RFK24	2'x4' Recessed Flange Kit
R39204	RENO-RP-ROPE	Aircraft Suspension Cable for 1'x4' fixture Aircraft Suspension Cable for 2'x2' fixture Aircraft Suspension Cable for 2'x4' fixture
R39114	RENO-BLPL-JB	Expansion junction box for R35305 & R35306 Flat Panel

ACCESSORIES – EMERGENCY LED DRIVERS

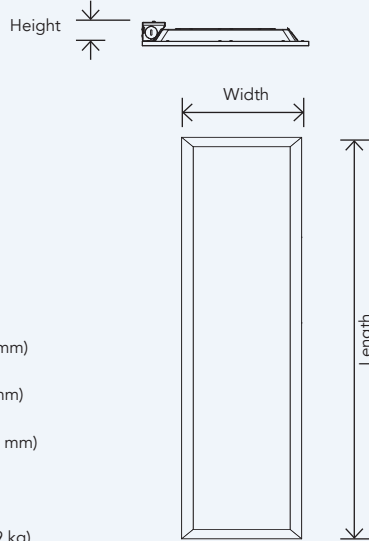


R83001
RENO-EM-H15
Emergency LED Driver
(100-347V AC, 50-60Hz, 15W)

Order#	Model	Description
R83001	RENO-EM-H15	Emergency LED Driver (100-347V AC, 50-60Hz, 15W)

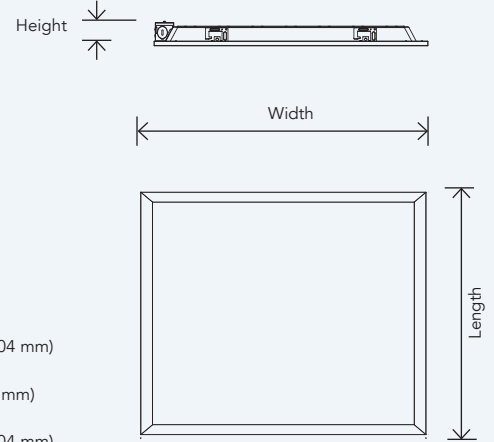
DIMENSIONS

1X4



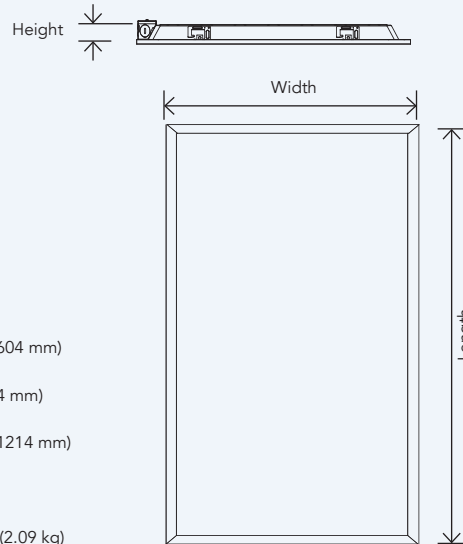
Width: 12.0" (304 mm)
 Height: 1.8" (45.4 mm)
 Length: 47.8" (1214 mm)
 Weight: 3.5 lbs (1.59 kg)

2X2



Width: 23.9" (604 mm)
 Height: 1.7" (44 mm)
 Length: 23.9" (604 mm)
 Weight: 3.5 lbs (1.59 kg)

2X4



Width: 23.9" (604 mm)
 Height: 1.7" (44 mm)
 Length: 47.8" (1214 mm)
 Weight: 4.6 lbs (2.09 kg)