

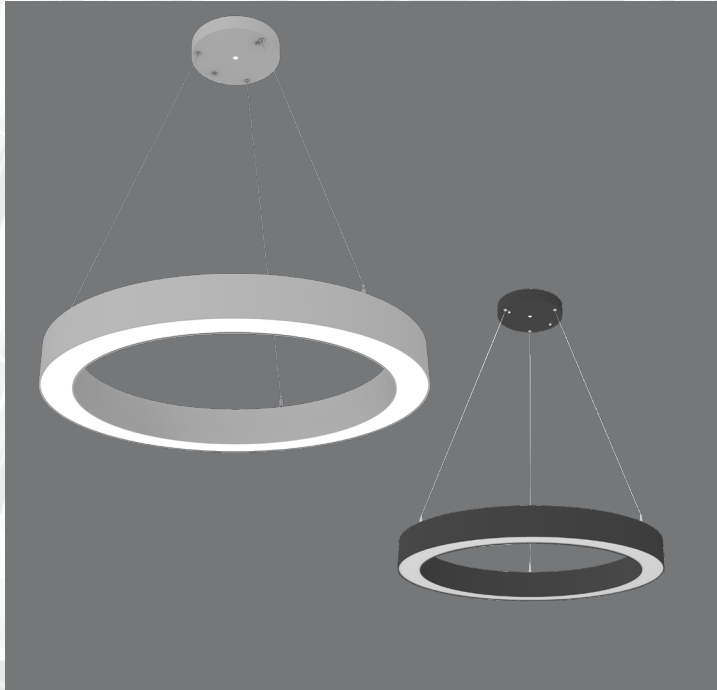


Date		Project	
Type		Part Number	

ARCHITECTURAL LUMINAIRES BY RENO LIGHTING

AURORA Series

Architectural Ring Fixture



Bring elegance and performance together with the AURORA SERIES. Designed for modern offices, conference rooms, retail, and commercial spaces, this suspended architectural ring delivers a striking visual statement while offering versatile lighting control. With selectable light distributions, sleek aluminum construction, and customizable finishes, the Aurora combines style, flexibility, and long-lasting reliability. Perfect for projects that demand both form and function.



Product Features

- 24" DLC: S-XFSJ2B / 36" DLC: S-1Q3758 / 48" DLC: S-GG8ZLK
- 24"/36"/48" Suspension Mounted
- 10ft adjustable suspension cable
- Mounting bracket installs onto junction box
- Optional Microwave sensor available
- Optional multi-suspension canopy available
- Selectable direct and indirect light ratios:
 1. 0% up 100% down
 2. 20% up 80% down
 3. 30% up 70% down
 4. 40% up 60% down
- Extruded Aluminum Exterior Construction
- Frosted Polycarbonate Lens
- White or Black painted parts are treated with a five-stage phosphate bonding process and finished with high-reflective baked enamel
- Custom Colours Available
- 10kV surge suppression
- Operating temp: -4°F to 104°F (-20°C to 40°C)
- Rated Lifetime L70(hrs): >50,000

Key Specifications

Voltage	120-347V
Wattage	24": 10/20/30/40W 36": 30/40/50/60W 48": 40/60/80/100W
CCT	Selectable: 30/35/40/5000K
Power Factor	>0.9
THD	<20%
Efficacy	Up to 143.7 lm/W
Lumens	Up to 13,788 lm
CRI	90
Default Fixture Setting	24": 40W, 4000K, 40% up 60% down 36": 60W, 4000K, 40% up 60% down 48": 100W, 4000K, 40% up 60% down
Beam Angle	>100°
Dimming	0-10V
Mounting	Suspended
Applications	Office, Conference Rooms, Retail, Commercial



AURORA Series | Architectural Ring Fixture

Specifications

ARCHITECTURAL LUMINAIRES BY RENO LIGHTING

Order#	Model	Wattage (W)	Efficacy (lm/W)	Lumens (lm)	CCT (k)	Tested Hours (LM80)	Finish
R34401	RENO-CIRSUS-24-DV-MW-MCCT-WH	10/20/30/40	Up to 143.7	Up to 5,385	30/35/40/50	9,000 hrs	White
R34402	RENO-CIRSUS-24-DV-MW-MCCT-BK	10/20/30/40	Up to 131.5	Up to 4,970	30/35/40/50	9,000 hrs	Black
R34403	RENO-CIRSUS-36-DV-MW-MCCT-WH	30/40/50/60	Up to 135	Up to 8,085	30/35/40/50	9,000 hrs	White
R34404	RENO-CIRSUS-36-DV-MW-MCCT-BK	30/40/50/60	Up to 145.6	Up to 7,828	30/35/40/50	9,000 hrs	Black
R34405	RENO-CIRSUS-48-DV-MW-MCCT-WH	40/60/80/100	Up to 140.2	Up to 13,788	30/35/40/50	9,000 hrs	White
R34406	RENO-CIRSUS-48-DV-MW-MCCT-BK	40/60/80/100	Up to 125.5	Up to 12,346	30/35/40/50	9,000 hrs	Black

Accessories



R39540
RENO-CIRSUS-CANOPY-2-WH
Double Fixture Canopy Kit



R39541
RENO-CIRSUS-CANOPY-2-BK
Double Fixture Canopy Kit



R39542
RENO-CIRSUS-CANOPY-3-WH
Triple Fixture Canopy Kit



R39543
RENO-CIRSUS-CANOPY-3-BK
Triple Fixture Canopy Kit



R83004
RENO-EM-C08
8W Internal Emergency Driver



R72005
RENO-SENSOR-MX079D
Canopy-Mounted Microwave sensor



R73006
RENO-REMOTE-MH16
Remote for R72005

Order#	Model	Description
R39540	RENO-CIRSUS-CANOPY-2-WH	Double Fixture Canopy Kit White Finish
R39541	RENO-CIRSUS-CANOPY-2-BK	Double Fixture Canopy Kit Black Finish
R39542	RENO-CIRSUS-CANOPY-3-WH	Triple Fixture Canopy Kit White Finish
R39543	RENO-CIRSUS-CANOPY-3-BK	Triple Fixture Canopy Kit Black Finish
R83004	RENO-EM-C08	8W Internal Emergency Driver
R72005	RENO-SENSOR-MX079D	Canopy-Mounted Microwave Sensor
R72006	RENO-REMOTE-MH16	Remote Control for R72005





AURORA Series | Architectural Ring Fixture

ARCHITECTURAL LUMINAIRES BY RENO LIGHTING

Light Distribution - 24" 0% indirect/ 100% Direct

Order #	Watts (W)	3000K				3500K				4000K				5000K			
		Total Lumens (lm)	Indirect Lumens (lm)	Direct Lumens (lm)	Efficacy (lm/W)	Total Lumens (lm)	Indirect Lumens (lm)	Direct Lumens (lm)	Efficacy (lm/W)	Total Lumens (lm)	Indirect Lumens (lm)	Direct Lumens (lm)	Efficacy (lm/W)	Total Lumens (lm)	Indirect Lumens (lm)	Direct Lumens (lm)	Efficacy (lm/W)
R34401	10	1,337	0	1,337	133.7	1,344	0	1,344	134.4	1,349	0	1,349	134.9	1,354	0	1,354	135.4
	20	2,545	0	2,545	127.3	2,566	0	2,566	128.3	2,578	0	2,578	128.9	2,589	0	2,589	129.5
	30	3,691	0	3,691	123	3,730	0	3,730	124.3	3,748	0	3,748	124.9	3,763	0	3,763	125.4
	40	4,983	0	4,983	124.6	5,029	0	5,029	125.7	5,051	0	5,051	126.3	5,067	0	5,067	126.7
R34402	10	1,199	0	1,199	119.9	1,216	0	1,216	121.6	1,231	0	1,231	123.1	1,260	0	1,260	126
	20	2,306	0	2,306	115.3	2,335	0	2,335	116.7	2,360	0	2,360	118	2,404	0	2,404	120.2
	30	3,399	0	3,399	113.3	3,442	0	3,442	114.7	3,479	0	3,479	116	3,527	0	3,527	117.6
	40	4,547	0	4,547	113.7	4,596	0	4,596	114.9	4,637	0	4,637	115.9	4,698	0	4,698	117.4

Light Distribution - 24" 20% indirect/ 80% Direct

Order #	Watts (W)	3000K				3500K				4000K				5000K			
		Total Lumens (lm)	Indirect Lumens (lm)	Direct Lumens (lm)	Efficacy (lm/W)	Total Lumens (lm)	Indirect Lumens (lm)	Direct Lumens (lm)	Efficacy (lm/W)	Total Lumens (lm)	Indirect Lumens (lm)	Direct Lumens (lm)	Efficacy (lm/W)	Total Lumens (lm)	Indirect Lumens (lm)	Direct Lumens (lm)	Efficacy (lm/W)
R34401	10	1379	276	1,103	137.9	1,386	277	1,109	138.6	1,391	278	1,113	139.1	1,397	279	1,118	139.7
	20	2,660	532	2,128	133	2,676	535	2,141	133.8	2,687	537	2,150	134.4	2,702	540	2,162	135.1
	30	3,875	775	3,100	129.2	3,903	781	3,122	130.1	3,920	784	3,136	130.7	3,935	787	3,148	131.2
	40	5,216	1,043	4,173	130.4	5,254	1,051	4,203	131.4	5,284	1,057	4,227	132.1	5,316	1,063	4,253	132.9
R34402	10	1,236	247	989	123.6	1,254	251	1,003	125.4	1,270	254	1,016	127	1,302	260	1,042	130.2
	20	2,402	480	1,922	120.1	2,433	487	1,946	121.6	2,460	492	1,968	123	2,511	502	2,009	125.5
	30	3,488	698	2,790	116.3	3,546	709	2,837	118.2	3,581	716	2,865	119.4	3,642	728	2,914	121.4
	40	4,718	944	3,774	117.9	4,771	954	3,817	119.3	4,819	964	3,855	120.5	4,893	979	3,914	122.3

Light Distribution - 24" 30% indirect/ 70% Direct

Order #	Watts (W)	3000K				3500K				4000K				5000K			
		Total Lumens (lm)	Indirect Lumens (lm)	Direct Lumens (lm)	Efficacy (lm/W)	Total Lumens (lm)	Indirect Lumens (lm)	Direct Lumens (lm)	Efficacy (lm/W)	Total Lumens (lm)	Indirect Lumens (lm)	Direct Lumens (lm)	Efficacy (lm/W)	Total Lumens (lm)	Indirect Lumens (lm)	Direct Lumens (lm)	Efficacy (lm/W)
R34401	10	1,377	413	964	137.7	1,383	415	968	138.3	1,388	416	972	138.8	1,391	417	974	139.1
	20	2,653	796	1,857	132.7	2,681	804	1,877	134	2,673	862	2,011	143.7	2,690	807	1,883	134.5
	30	3,875	1,163	2,712	129.2	3,895	1,169	2,726	129.8	3,928	1,178	2,750	130.9	3,926	1,178	2,748	130.9
	40	5,180	1,554	3,626	129.5	5,270	1,581	3,689	131.8	5,302	1,591	3,711	132.6	5,341	1,602	3,739	133.5
R34402	10	1,227	368	859	122.7	1,245	249	996	124.5	1,260	252	1,008	126	1,290	258	1,032	129
	20	2,388	716	1,672	119.4	2,416	725	1,691	120.8	2,443	733	1,710	121.6	2,491	747	1,744	124.5
	30	3,479	1,044	2,435	116	3,556	1,067	2,489	118.5	3,556	1,067	2,489	118.5	3,622	1,087	2,535	120.7
	40	4,693	1,408	3,285	117.3	4,744	1,423	3,321	118.6	4,789	1,437	3,352	119.7	4,863	1,459	3,404	121.6





AURORA Series | Architectural Ring Fixture

ARCHITECTURAL LUMINAIRES BY RENO LIGHTING

Light Distribution - 24" 40% indirect/ 60% Direct

Order #	Watts (W)	3000K				3500K				4000K				5000K			
		Total Lumens (lm)	Indirect Lumens (lm)	Direct Lumens (lm)	Efficacy (lm/W)	Total Lumens (lm)	Indirect Lumens (lm)	Direct Lumens (lm)	Efficacy (lm/W)	Total Lumens (lm)	Indirect Lumens (lm)	Direct Lumens (lm)	Efficacy (lm/W)	Total Lumens (lm)	Indirect Lumens (lm)	Direct Lumens (lm)	Efficacy (lm/W)
R34401	10	1396	558	838	139.6	1,403	561	842	140.3	1,408	563	845	140.8	1,410	564	846	141
	20	2,736	1,094	1,642	136.8	2,743	1,097	1,646	137.2	2,249	900	1,349	112.5	2,762	1,105	1,657	138.1
	30	3,979	1,592	2,387	132.6	4,012	1,605	2,407	133.7	4,025	1,610	2,415	134.2	4,035	1,614	2,421	134.5
	40	5,281	2,112	3,169	132	5,332	2,133	3,199	133.3	5,357	2,143	3,214	133.9	5,385	2,154	3,231	134.6
R34402	10	1,244	498	746	124.4	1,263	505	758	126.3	1,279	512	767	127.9	1,315	526	789	131.5
	20	2,432	973	1,459	121.6	2,461	984	1,477	123	2,490	996	1,494	124.5	2,544	1,018	1,526	122.7
	30	3,599	1,440	2,159	120	3,620	1,448	2,172	120.6	3,584	1,434	2,150	119.5	3,688	1,475	2,213	122.9
	40	4,781	1,912	2,869	119.5	4,889	1,956	2,933	122.2	4,889	1,956	2,933	122.2	4,970	1,988	2,982	124.2

Light Distribution - 36" 0% indirect/ 100% Direct

Order #	Watts (W)	3000K				3500K				4000K				5000K			
		Total Lumens (lm)	Indirect Lumens (lm)	Direct Lumens (lm)	Efficacy (lm/W)	Total Lumens (lm)	Indirect Lumens (lm)	Direct Lumens (lm)	Efficacy (lm/W)	Total Lumens (lm)	Indirect Lumens (lm)	Direct Lumens (lm)	Efficacy (lm/W)	Total Lumens (lm)	Indirect Lumens (lm)	Direct Lumens (lm)	Efficacy (lm/W)
R34403	30	3,740	0	3,740	124.7	3,768	0	3,768	125.6	3,792	0	3,792	126.4	3,836	0	3,836	127.9
	40	4,989	0	4,989	124.7	5,029	0	5,029	125.7	5,067	0	5,067	126.7	5,125	0	5,125	128.1
	50	6,216	0	6,216	124.3	6,282	0	6,282	125.6	6,326	0	6,326	126.5	6,393	0	6,393	127.8
	60	7,363	0	7,363	122.7	7,458	0	7,458	124.3	7,522	0	7,522	125.4	7,637	0	7,637	127.3
R34404	30	3,375	0	3,375	112.5	3,402	0	3,402	113.4	3,427	0	3,427	114.2	3,464	0	3,464	115.5
	40	4,503	0	4,503	112.6	4,542	0	4,542	113.5	4,573	0	4,573	114.3	4,620	0	4,620	115.5
	50	5,658	0	5,658	113.2	5,709	0	5,709	114.2	5,743	0	5,743	114.8	5,799	0	5,799	116
	60	6,784	0	6,784	113	6,844	0	6,844	114	6,885	0	6,885	114.7	6,947	0	6,947	115.8

Specifications - 36" 20% indirect/ 80% Direct

Order #	Watts (W)	3000K				3500K				4000K				5000K			
		Total Lumens (lm)	Indirect Lumens (lm)	Direct Lumens (lm)	Efficacy (lm/W)	Total Lumens (lm)	Indirect Lumens (lm)	Direct Lumens (lm)	Efficacy (lm/W)	Total Lumens (lm)	Indirect Lumens (lm)	Direct Lumens (lm)	Efficacy (lm/W)	Total Lumens (lm)	Indirect Lumens (lm)	Direct Lumens (lm)	Efficacy (lm/W)
R34403	30	3,873	775	3,098	129.1	3,904	781	3,123	130.1	3,937	787	3,150	131.2	3,980	796	3,184	132.6
	40	5,165	1,033	4,132	129.1	5,234	1,047	4,187	130.9	5,271	1,054	4,217	131.8	5,335	1,067	4,268	133.4
	50	6,438	1,288	5,150	128.7	6,482	1,296	5,186	129.6	6,526	1,305	5,221	130.5	6,632	1,326	5,306	132.6
	60	7,716	1,543	6,173	128.6	7,739	1,548	6,191	129	7,801	1,560	6,241	130	7,898	1,580	6,318	131.6
R34404	30	3,565	713	2,852	118.8	3,592	718	2,874	119.7	3,610	722	2,888	120.3	3,648	730	2,918	121.6
	40	4,749	950	3,799	118.7	4,785	957	3,828	119.6	4,814	963	3,851	120.3	4,863	973	3,890	121.6
	50	5,950	1,190	4,460	119	6,001	1,200	4,801	120	6,038	1,208	4,830	120.7	6,097	1,219	4,878	121.9
	60	7,142	1,428	5,714	119	7,201	1,440	5,761	120	7,245	1,449	5,796	120.7	7,310	1,462	5,848	121.8





AURORA Series | Architectural Ring Fixture

ARCHITECTURAL LUMINAIRES BY RENO LIGHTING

Specifications - 36" 30% indirect/ 70% Direct

Order #	Watts (W)	3000K				3500K				4000K				5000K			
		Total Lumens (lm)	Indirect Lumens (lm)	Direct Lumens (lm)	Efficacy (lm/W)	Total Lumens (lm)	Indirect Lumens (lm)	Direct Lumens (lm)	Efficacy (lm/W)	Total Lumens (lm)	Indirect Lumens (lm)	Direct Lumens (lm)	Efficacy (lm/W)	Total Lumens (lm)	Indirect Lumens (lm)	Direct Lumens (lm)	Efficacy (lm/W)
R34403	30	3,912	1,174	2,738	130.4	3,905	1,172	2,733	130.2	3,972	1,192	2,780	132.4	4,004	1,201	2,803	133.5
	40	5,208	1,562	3,646	130.2	5,259	1,578	3,681	131.5	5,277	1,583	3,694	131.9	5,336	1,601	3,735	133.4
	50	6,506	1,952	4,554	130.1	6,548	1,964	4,584	131	6,593	1,978	4,615	131.8	6,678	2,003	4,675	133.5
	60	7,870	2,361	5,509	131.2	7,842	2,353	5,489	130.7	7,904	2,371	5,533	131.7	8,005	2,402	5,603	133.4
R34404	30	3,782	1,135	2,647	126.1	3,810	1,143	2,667	127	3,839	1,152	2,687	128	3,891	1,167	2,724	129.7
	40	5,035	1,511	3,524	125.9	5,094	1,528	3,566	127.4	4,898	1,469	3,429	122.4	5,194	1,558	3,636	129.8
	50	6,332	1,900	4,432	126.6	6,332	1,900	4,432	126.6	6,455	1,937	4,518	129.1	7,279	2,184	5,095	145.6
	60	7,623	2,287	5,336	127	7,692	2,308	5,384	128.2	7,744	2,323	5,421	129	7,828	2,348	5,480	130.5

Specifications - 36" 40% indirect/ 60% Direct

Order #	Watts (W)	3000K				3500K				4000K				5000K			
		Total Lumens (lm)	Indirect Lumens (lm)	Direct Lumens (lm)	Efficacy (lm/W)	Total Lumens (lm)	Indirect Lumens (lm)	Direct Lumens (lm)	Efficacy (lm/W)	Total Lumens (lm)	Indirect Lumens (lm)	Direct Lumens (lm)	Efficacy (lm/W)	Total Lumens (lm)	Indirect Lumens (lm)	Direct Lumens (lm)	Efficacy (lm/W)
R34403	30	3,951	1,580	2,371	131.7	3,976	1,590	2,386	132.5	3,994	1,598	2,396	133.1	4,044	1,618	2,426	134.8
	40	5,287	2,115	3,172	132.2	5,341	2,136	3,205	133.5	5,320	1,596	3,724	133	5,402	2,161	3,241	135
	50	6,598	2,639	3,959	132	6,635	2,654	3,981	132.7	6,676	2,670	4,006	133.5	6,748	2,699	4,049	135
	60	7,900	3,160	4,740	131.7	7,950	3,180	4,770	132.5	7,998	3,199	4,799	133.3	8,085	3,234	4,851	134.7
R34404	30	3,584	1,434	2,150	119.5	3,620	1,448	2,172	120.7	3,641	1,456	2,185	121.4	3,681	1,472	2,209	122.7
	40	4,833	1,933	2,900	120.8	4,870	1,948	2,922	121.7	4,898	1,959	2,939	122.4	4,952	1,981	2,971	123.8
	50	6,096	2,438	3,658	121.9	6,141	2,456	3,685	122.8	6,175	2,470	3,705	123.5	6,234	2,494	3,740	124.7
	60	7,321	2,928	4,393	122	7,371	2,948	4,423	122.8	7,412	2,965	4,447	123.5	7,478	2,991	4,487	124.6

Specifications - 48" 0% indirect/ 100% Direct

Order #	Watts (W)	3000K				3500K				4000K				5000K			
		Total Lumens (lm)	Indirect Lumens (lm)	Direct Lumens (lm)	Efficacy (lm/W)	Total Lumens (lm)	Indirect Lumens (lm)	Direct Lumens (lm)	Efficacy (lm/W)	Total Lumens (lm)	Indirect Lumens (lm)	Direct Lumens (lm)	Efficacy (lm/W)	Total Lumens (lm)	Indirect Lumens (lm)	Direct Lumens (lm)	Efficacy (lm/W)
R34405	40	5,123	0	5,123	128.1	5,154	0	5,154	128.9	5,183	0	5,183	129.6	5,236	0	5,236	130.9
	60	7,706	0	7,706	128.4	7,773	0	7,773	129.5	7,827	0	7,827	130.5	7,905	0	7,905	131.8
	80	10,408	0	10,408	130.1	10,484	0	10,484	131	10,542	0	10,542	131.8	10,632	0	10,632	132.9
	100	13,025	0	13,025	130.2	13,227	0	13,227	132.3	13,259	0	13,259	132.6	13,238	0	13,238	132.4
R34406	40	4,520	0	4,520	113	4,567	0	4,567	114.2	4,603	0	4,603	115.1	4,653	0	4,653	116.3
	60	6,795	0	6,795	113.2	6,877	0	6,877	114.6	6,935	0	6,935	115.6	7,006	0	7,006	116.8
	80	9,174	0	9,174	114.7	9,302	0	9,302	116.3	9,372	0	9,372	117.1	9,363	0	9,363	117
	100	11,276	0	11,276	112.7	11,344	0	11,344	113.4	11,418	0	11,418	114.2	11,503	0	11,503	115





AURORA Series | Architectural Ring Fixture

ARCHITECTURAL LUMINAIRES BY RENO LIGHTING

Specifications - 48" 20% indirect/ 80% Direct

Order #	Watts (W)	3000K				3500K				4000K				5000K			
		Total Lumens (lm)	Indirect Lumens (lm)	Direct Lumens (lm)	Efficacy (lm/W)	Total Lumens (lm)	Indirect Lumens (lm)	Direct Lumens (lm)	Efficacy (lm/W)	Total Lumens (lm)	Indirect Lumens (lm)	Direct Lumens (lm)	Efficacy (lm/W)	Total Lumens (lm)	Indirect Lumens (lm)	Direct Lumens (lm)	Efficacy (lm/W)
R34405	40	5,270	1,054	4,216	131.8	5,314	1,063	4,251	132.9	5,358	1,072	4,286	134	5,428	1,086	4,342	135.7
	60	7,945	1,589	6,356	132.4	8,052	1,610	6,442	134.2	8,118	1,624	6,494	135.3	8233	1,647	6,586	137.2
	80	10,848	2,170	8,678	135.6	10,925	2,185	8,740	136.6	11,062	2,212	8,850	138.3	11,214	2,243	8,971	140.2
	100	13,634	2,727	10,907	136.3	13,592	2,718	10,874	135.9	13,725	2,745	10,980	137.2	13,778	2,756	11,022	137.8
R34406	40	4,765	953	3,812	119.1	4,791	958	3,833	119.8	4,818	964	3,854	120.4	4,865	973	3,892	121.6
	60	7,153	1,431	5,722	119.2	7,216	1,443	5,773	120.3	7,262	1,452	5,810	121	7,326	1,465	5,861	122.1
	80	9,655	1,931	7,724	120.7	9,706	1,941	7,765	121.3	9,779	1,956	7,823	122.2	9,887	1,977	7,910	123.6
	100	11,764	2,353	9,411	117.6	11,894	2,379	9,515	118.9	11,974	2,395	9,579	119.7	12,060	2,412	9,648	120.6

Specifications - 48" 30% indirect/ 70% Direct

Order #	Watts (W)	3000K				3500K				4000K				5000K			
		Total Lumens (lm)	Indirect Lumens (lm)	Direct Lumens (lm)	Efficacy (lm/W)	Total Lumens (lm)	Indirect Lumens (lm)	Direct Lumens (lm)	Efficacy (lm/W)	Total Lumens (lm)	Indirect Lumens (lm)	Direct Lumens (lm)	Efficacy (lm/W)	Total Lumens (lm)	Indirect Lumens (lm)	Direct Lumens (lm)	Efficacy (lm/W)
R34405	40	5,208	1,562	3,646	130.2	5,276	1,583	3,693	131.9	5,325	1,688	3,637	133.1	5,402	1,621	3,781	135
	60	7,962	2,389	5,573	132.7	8,029	2,409	5,620	133.8	8,093	2,428	5,665	134.9	8,176	2,453	5,723	136.3
	80	10,748	3,224	7,524	134.4	10,806	3,242	7,564	135	10,913	3,274	7,639	136.4	11,143	3,424	7,719	111.4
	100	13,229	3,969	9,260	132.3	13,616	4,085	9,531	136.1	13,766	4,130	9,636	137.6	13,625	4,088	9,537	136.2
R34406	40	4,673	1,402	3,271	116.8	4,720	1,416	3,304	118	4,758	1,427	3,331	118.9	4,813	1,444	3,369	120.3
	60	7,113	2,134	4,979	118.5	7,175	2,153	5,022	119.6	7,222	2,167	5,055	120.4	7,299	2,190	5,109	121.6
	80	9,619	2,886	6,733	120.2	9,694	2,908	6,786	121.2	9,740	2,922	6,818	121.7	9,836	2,951	6,885	122.9
	100	11,742	3,523	8,219	117.4	11,865	3,560	8,305	118.5	11,940	3,582	8,358	119.4	12,023	3,607	8,416	120.2

Specifications - 48" 40% indirect/ 60% Direct

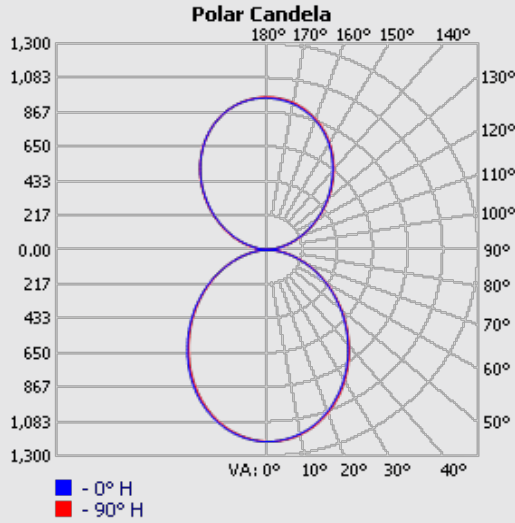
Order #	Watts (W)	3000K				3500K				4000K				5000K			
		Total Lumens (lm)	Indirect Lumens (lm)	Direct Lumens (lm)	Efficacy (lm/W)	Total Lumens (lm)	Indirect Lumens (lm)	Direct Lumens (lm)	Efficacy (lm/W)	Total Lumens (lm)	Indirect Lumens (lm)	Direct Lumens (lm)	Efficacy (lm/W)	Total Lumens (lm)	Indirect Lumens (lm)	Direct Lumens (lm)	Efficacy (lm/W)
R34405	40	5,480	2,192	3,288	137	5,516	2,206	3,310	137.9	5,589	2,236	3,353	139.7	5,353	2,141	3,212	133.8
	60	7,994	3,198	4,796	133.2	8,081	3,232	4,849	134.7	8,221	3,288	4,933	137	8,358	3,343	5,015	139.3
	80	11,062	4,425	6,637	138.3	11,042	4,417	6,625	138	11,180	4,472	6,708	139.8	11,332	4,533	6,799	113.3
	100	13,347	5,339	8,008	133.5	13,646	5,458	8,188	136.4	13,734	5,494	8,240	137.3	13,590	5,436	8,154	135.9
R34406	40	4,746	1,898	2,848	118.6	4,800	1,920	2,880	120	4,855	1,942	2,913	121.4	4,907	1,963	2,944	122.7
	60	7,254	2,902	4,352	120.9	7,323	2,929	4,394	122	7,376	2,950	4,426	122.9	7,460	2,984	4,476	124.3
	80	9,839	3,936	5,903	123	9,905	3,962	5,943	123.8	9,978	3,991	5,987	124.7	10,043	4,017	6,026	125.5
	100	12,018	4,807	7,211	120.2	12,125	4,850	7,275	121.2	12,234	4,894	7,340	122.3	12,346	4,938	7,408	123.4





Photometrics - 24" White

DEFAULT: 24": 40W, 4000K, 40% up 60% down

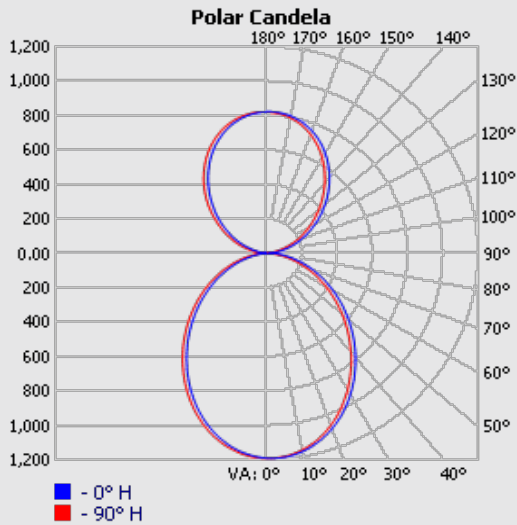


Height	Center Beam fc	Beam Width (V / H)
4.0 ft	75.56 fc	9.2 / 9.2 ft
8.0 ft	18.89 fc	18.5 / 18.4 ft
12.0 ft	8.40 fc	27.7 / 27.7 ft
16.0 ft	4.72 fc	37.0 / 36.9 ft
20.0 ft	3.02 fc	46.2 / 46.1 ft

Vertical Spread: 98.3° | Horizontal Spread: 98.1°

Photometrics - 24" Black

DEFAULT: 24": 40W, 4000K, 40% up 60% down



Height	Center Beam fc	Beam Width (V / H)
4.0 ft	74.37 fc	9.0 / 9.0 ft
8.0 ft	18.59 fc	18.0 / 17.9 ft
12.0 ft	8.26 fc	27.0 / 26.9 ft
16.0 ft	4.65 fc	36.0 / 35.8 ft
20.0 ft	2.97 fc	45.0 / 44.8 ft

Vertical Spread: 96.7° | Horizontal Spread: 96.5°

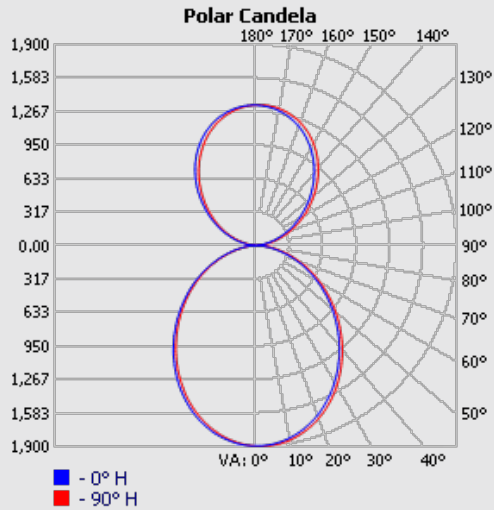


AURORA Series | Architectural Ring Fixture

ARCHITECTURAL LUMINAIRES BY RENO LIGHTING

Photometrics - 36" White

DEFAULT 36": 60W, 4000K, 40% up 60% down

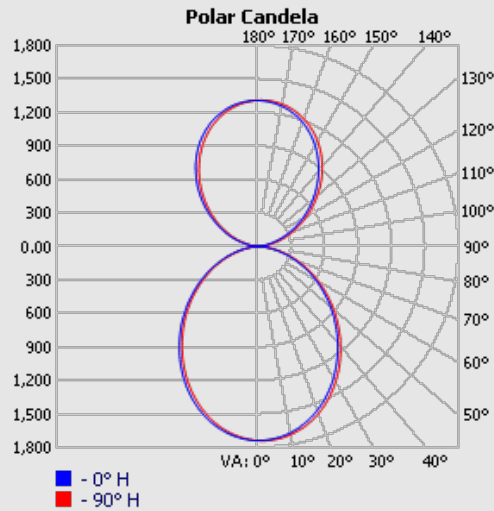


Height	Center Beam fc	Beam Width (V / H)
4.0 ft	118.40 fc	9.4 / 9.4 ft
8.0 ft	29.60 fc	18.8 / 18.9 ft
12.0 ft	13.16 fc	28.2 / 28.3 ft
16.0 ft	7.40 fc	37.7 / 37.8 ft
20.0 ft	4.74 fc	47.1 / 47.2 ft

Vertical Spread: 99.3° | Horizontal Spread: 99.5°

Photometrics - 36" Black

DEFAULT 36": 60W, 4000K, 40% up 60% down



Height	Center Beam fc	Beam Width (V / H)
4.0 ft	108.55 fc	9.2 / 9.2 ft
8.0 ft	27.14 fc	18.4 / 18.4 ft
12.0 ft	12.06 fc	27.6 / 27.6 ft
16.0 ft	6.78 fc	36.8 / 36.8 ft
20.0 ft	4.34 fc	46.0 / 46.0 ft

Vertical Spread: 98.0° | Horizontal Spread: 97.9°



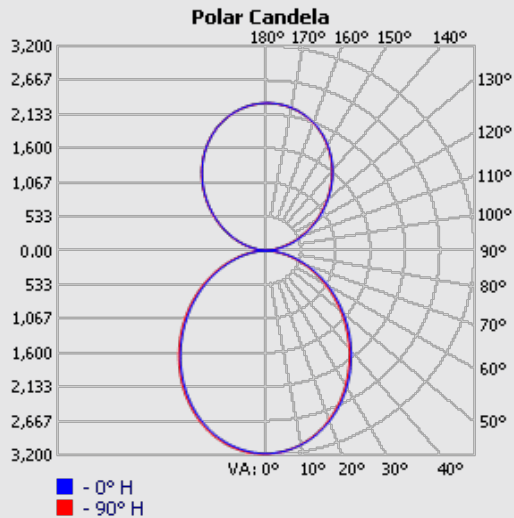


AURORA Series | Architectural Ring Fixture

ARCHITECTURAL LUMINAIRES BY RENO LIGHTING

Photometrics - 48" White

DEFAULT 48": 100W, 4000K, 40% up 60% down

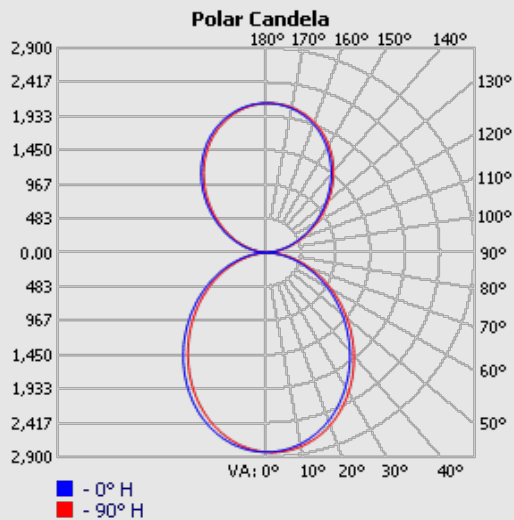


Height	Center Beam fc	Beam Width (V / H)
4.0 ft	198.34 fc	9.3 / 9.3 ft
8.0 ft	49.59 fc	18.7 / 18.6 ft
12.0 ft	22.04 fc	28.0 / 28.0 ft
16.0 ft	12.40 fc	37.4 / 37.3 ft
20.0 ft	7.93 fc	46.7 / 46.6 ft

Vertical Spread: 98.9° | Horizontal Spread: 98.7°

Photometrics - 48" Black

DEFAULT 48": 100W, 4000K, 40% up 60% down



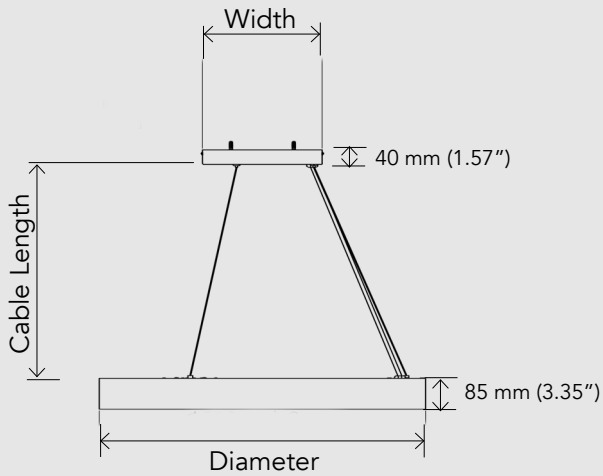
Height	Center Beam fc	Beam Width (V / H)
4.0 ft	176.82 fc	9.3 / 9.2 ft
8.0 ft	44.21 fc	18.5 / 18.4 ft
12.0 ft	19.65 fc	27.8 / 27.5 ft
16.0 ft	11.05 fc	37.0 / 36.7 ft
20.0 ft	7.07 fc	46.3 / 45.9 ft

Vertical Spread: 98.3° | Horizontal Spread: 97.8°



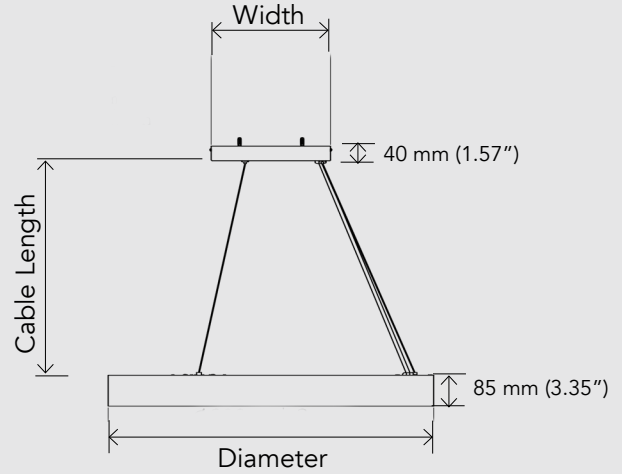
Dimensions

24" FIXTURE



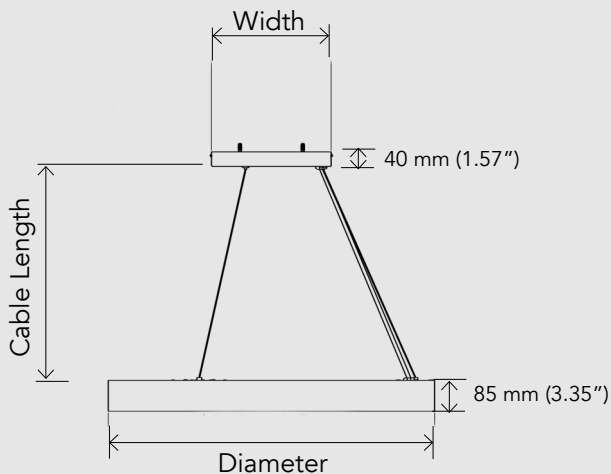
Width: 220.5 mm (8.68")
 Cable Length: 120"(adjustable)
 Diameter: 602 mm (23.7")
 Fixture Weight: 5.6kg (12.4lbs)

36" FIXTURE



Width: 300.5 mm (11.83")
 Cable Length: 120"(adjustable)
 Diameter: 902 mm (35.5")
 Fixture Weight: 8.40kg (18.5lbs)

48" FIXTURE



Width: 300.5 mm (11.83")
 Cable Length: 120"(adjustable)
 Diameter: 1202 mm (47.3")
 Fixture Weight: 11.05kg (24.3lbs)

SELECTABLE SWITCHES

