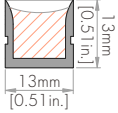









Preparation



Top-Bend Neon Strip



LED Neon Light

Tools						
						
scissors	marker pen	ruler	silicone glue	soldering iron	soldering tin	knife

Important

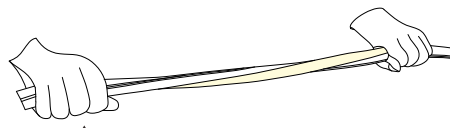
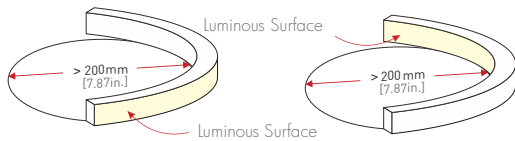
Please take the time to read this installation guide before you install the product. The guide contains important information regarding installation and operation. It must be installed in a proper way.

Safety & Warnings

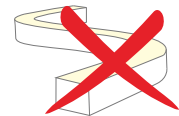
1. Install in accordance with national and local electrical code regulations.
2. This product must be installed and serviced by a qualified, licensed electrician.
3. Before installation, maintenance or cleaning, always switch off or disconnect the power first. Before powering on, make sure the wiring is correct.
4. Do not connect directly to the main power, the product is connected to SELV LED driver.
5. Adopt suitable power supply with power is 20% higher than the max. power of luminary, to ensure long time performance of power supply.
6. Please adopt a suitable waterproof rating product, according to actual specific scene.
7. Do not install the product in an environment over ambient temperature range (-20°~45°C).
8. Do not exceed maximum run length for the product. Over long length will lead to problem of overload or uneven brightness.
9. Avoid scrape, twist and irregular bend during installation, which might cause non repairable status for the luminary, avoid pull hard and fast.
10. Minimum bending diameter definition is 200mm[7.87in], too small bending diameter will break the luminary.
11. Should two or more people work, make sure somebody help to lift the light during installation.
12. Do not modify or disassemble this product beyond instructions or the warranty will be void.

Bend & Twist

Top-Bend

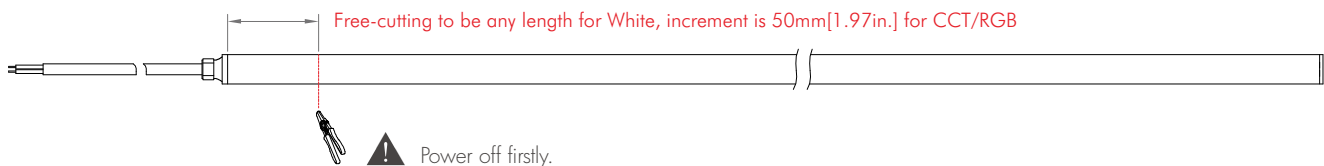


▲ Max. twist angle is 360° per 1000mm[39.4in.]



Can't be side-bend

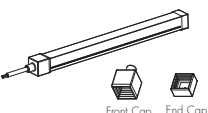
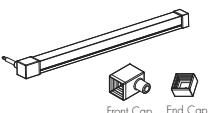
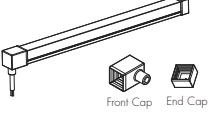
Cutting



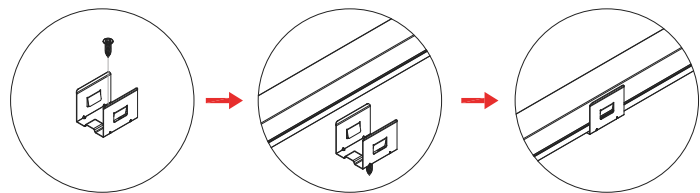
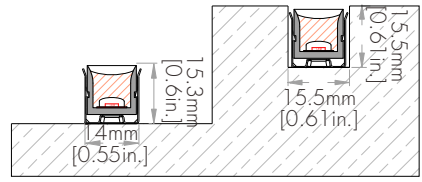
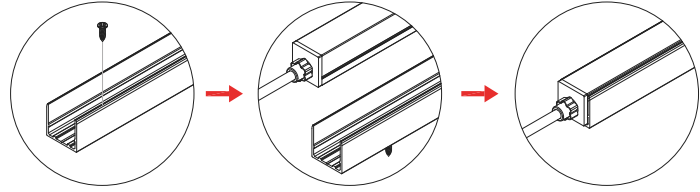
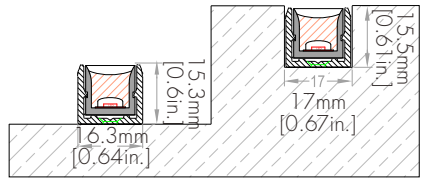
Free-cutting to be any length for White, increment is 50mm[1.97in.] for CCT/RGB

⚠ Power off firstly.

End-cap installation guide

Power cable in tail feed 	Cut off some parts of bottom silicone jacket in 3mm[0.12in.] length carefully.	Cut off some parts of plastic and make sure these bottom solder pads on pcb exposed.	Solder the power cable to the bottom solder pads on PCB.	Fill the inner part of front cap by silicone glue completely.	Fill the inner part of end cap by silicone glue completely.
Power cable in side feed 	Cut off some parts of bottom silicone jacket in 3mm[0.12in.] length carefully.	Cut off some parts of plastic and make sure these bottom solder pads on pcb exposed.	Solder the power cable to the bottom solder pads on PCB.	Fill the inner part of front cap by silicone glue completely.	Fill the inner part of end cap by silicone glue completely.
Power cable in bottom feed 	Cut off some parts of bottom silicone jacket in 3mm[0.12in.] length carefully.	Cut off some parts of plastic and make sure these bottom solder pads on pcb exposed.	Solder the power cable to the bottom solder pads on PCB.	Fill the inner part of front cap by silicone glue completely.	Fill the inner part of end cap by silicone glue completely.

Accessories(optional) installation guide

Fixed by bracket and screw 	Space & Groove are shown as below  <p>Surface & Recessed mounting</p>
Fixed by aluminum profile and screw 	Space & Groove are shown as below  <p>Surface & Recessed mounting</p>

Note: It's also support surface & recessed mounting by gluing process.