

Date		Project	
Type		Part Number	

PRIME R ALL-IN-ONE PERFORMANCE LIGHTING

TENON BRACKET

Round Pole Adaptor

The Reno Round Pole Adaptors are a steel tenon adaptor which converts the top of a 3", 4", 5" or 6" round pole into a 2 3/8" single tenon. It is an external fit over the outside of the pole, perfect for the standard Slip-Fitter accessory.



PRODUCT FEATURES

- 2 3/8" horizontal tenon
- Fits over a 3", 4", 5" or 6" round pole
- Powder coated steel
- Matte Black Finish
- Custom colours available
- 1 year warranty

KEY SPECIFICATIONS

Tenon Diameter	2-3/8"
Mounting	Pole mount: TAR3 - 3" (76.2mm) TAR4 - 4" (101.6mm) TAR5 - 5" (127mm) TAR6 - 6" (152.4mm)
Applications	Commercial, Residential, Warehouse, Retail Facilities

ACCESSORY - ROUND ADAPTORS



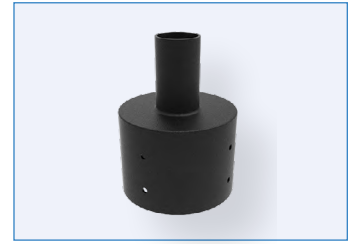
R59304
RENO-TAR3
Tenon Adaptor for 3" ROUND
Pole – 4" Tenon



R59305
RENO-TAR4
Tenon Adaptor for 4" ROUND
Pole – 4" Tenon



R59306
RENO-TAR5
Tenon Adaptor for 5" ROUND
Pole – 4" Tenon

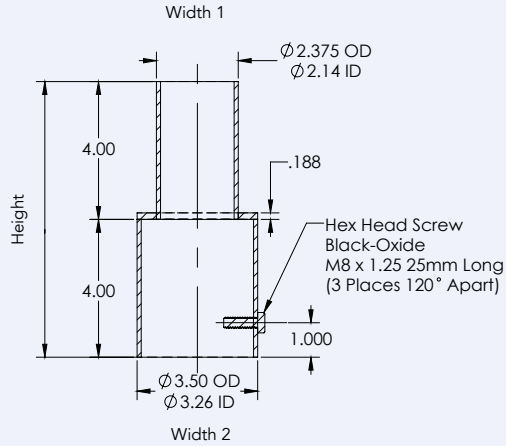


R59307
RENO-TAR6
Tenon Adaptor for 6" ROUND
Pole – 4" Tenon

Order#	Model	Description
R59304	RENO-TAR3	Tenon Adaptor for 3" ROUND Pole – 4" Tenon
R59305	RENO-TAR4	Tenon Adaptor for 4" ROUND Pole – 4" Tenon
R59306	RENO-TAR5	Tenon Adaptor for 5" ROUND Pole – 4" Tenon
R59307	RENO-TAR6	Tenon Adaptor for 6" ROUND Pole – 4" Tenon

DIMENSIONS

RENO-TAR3



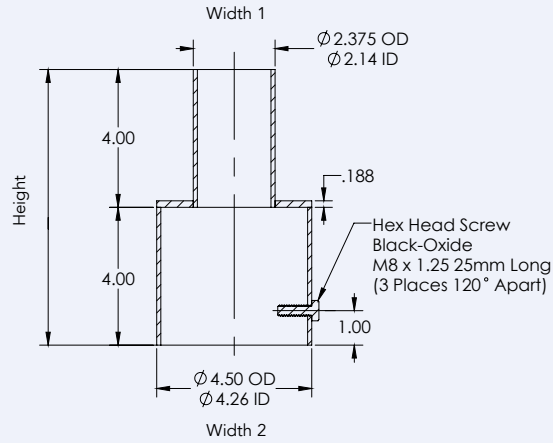
Width1: $\phi 2.4''$ ($\phi 61$ mm)

Height: 8" (203.2mm)

Width 2: $\phi 3.5''$ ($\phi 88.9$ mm)

Weight: 3.5 lbs (1.6 kg)

RENO-TAR4



Width1: $\phi 2.4''$ ($\phi 61$ mm)

Height: 8" (203.2mm)

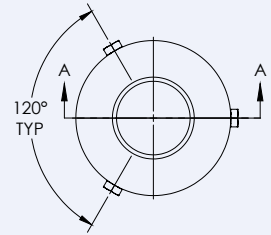
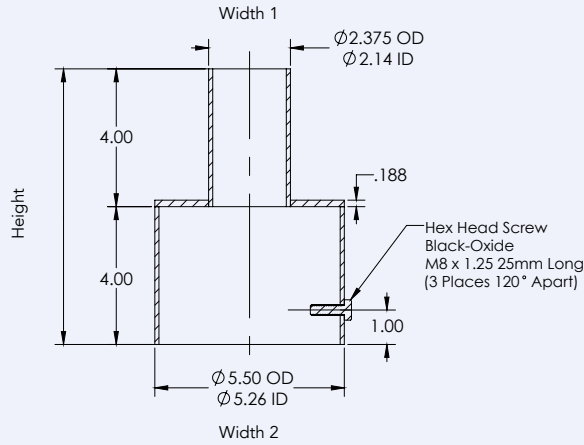
Width 2: $\phi 4.5''$ ($\phi 114.3$ mm)

Weight: 3.4lbs (1.5 kg)

DIMENSIONS CON'T

RENO-TAR5

Width1: Ø2.4" (Ø61mm)
 Height: 8" (203.2mm)
 Width 2: Ø5.5" (Ø139.7mm)
 Weight: 3.6 lbs (1.6 kg)



RENO-TAR6

Width1: Ø2.4" (Ø61mm)
 Height: 8" (203.2mm)
 Width 2: Ø6.5" (Ø165.1mm)
 Weight: 6.5lbs (2.9 kg)

