



Date		Project	
Type		Part Number	

ARCHITECTURAL LUMINAIRES BY RENO LIGHTING

# HALO Series

## Architectural Post Tops



The RENO Post Top Fixture provides high quality illumination ideal for outdoor locations requiring energy-savings and a long life which is great for both security and decorative post top lighting for commercial applications such as parking lots or large walkways or parks.



### Product Features

- DLC Premium
- Dark Sky Approved when set to 3K
- Rated IP66
- Compatible with either RENO Smart NLC System or RENO Standalone Sensors
- Aluminum housing & PC Lens
- High and stable lumen output
- Elegant & Efficient Design
- Easy Installation & Maintenance
- Operating Temperature: -40°F to +104°F (-40°C to +40°C)
- Rated Lifetime L70(hrs): >100,000
- Powder coated black or white finish
- 10 year limited warranty

### Key Specifications

<b>Voltage</b>	120-347V
<b>Wattage</b>	Selectable Wattage: R1 - 40/50/60W R2 - 60/80/100W R3 - 120/135/150W
<b>Efficacy</b>	130 lm/W
<b>CCT</b>	Selectable: 3000K/4000K/5000K
<b>CRI</b>	>70
<b>Lumens</b>	Up to 19,500 lm
<b>Beam Angle</b>	90°
<b>Dimming</b>	Optional plug-In Dimming sensor
<b>Mounting</b>	Pole Mount
<b>Applications</b>	Pathways, Outdoor parking, Commercial



# HALO Series | Architectural Post Tops

ARCHITECTURAL LUMINAIRES BY RENO LIGHTING

## Specifications

Order#	Model	Wattage	Voltage	Efficacy	Lumens	CCT	Finish
R55004	RENO-PT-DV-MW-MCCT-R1	40/50/60W	120-347V	130 lm/W	5200/6500/7800 lm	30/40/5000K	Black
R55005	RENO-PT-DV-MW-MCCT-R2	60/80/100W	120-347V	130 lm/W	7800/10400/13000 lm	30/40/5000K	Black
R55006	RENO-PT-DV-MW-MCCT-R3	120/135/150W	120-347V	130 lm/W	15600/17550/19500 lm	30/40/5000K	Black
R55011	RENO-PT-DV-MW-MCCT-R1-WH	40/50/60W	120-347V	130 lm/W	5200/6500/7800 lm	30/40/5000K	White
R55012	RENO-PT-DV-MW-MCCT-R2-WH	60/80/100W	120-347V	130 lm/W	7800/10400/13000 lm	30/40/5000K	White

## DLC Certification

Order#	Model	Application	DLC Standard	DLC Premium
R55004	RENO-PT-DV-MW-MCCT-R1	Outdoor Pole/Arm-Mounted Decorative Luminaires	-	S-S8G41C
R55005	RENO-PT-DV-MW-MCCT-R2	Outdoor Pole/Arm-Mounted Decorative Luminaires	-	S-M3DP97
R55006	RENO-PT-DV-MW-MCCT-R3	Outdoor Pole/Arm-Mounted Decorative Luminaires	-	S-BORKP5
R55011	RENO-PT-DV-MW-MCCT-R1-WH	Outdoor Pole/Arm-Mounted Decorative Luminaires	-	S-S8G41C
R55012	RENO-PT-DV-MW-MCCT-R2-WH	Outdoor Pole/Arm-Mounted Decorative Luminaires	-	S-M3DP97

## Mounting Accessories



R59304



R59305



R59306



R59308

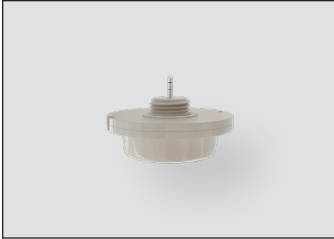


R59309

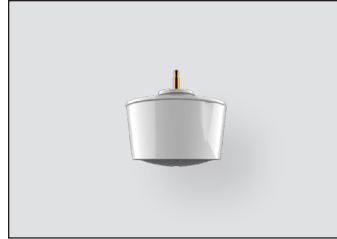
Order#	Model	Description
R59304	RENO-TAR3	Tenon Adapter for 3 inch Round Poles
R59305	RENO-TAR4	Tenon Adapter for 4 inch Round Poles
R59306	RENO-TAR5	Tenon Adapter for 5 inch Round Poles
R59308	RENO-TAS4	Tenon Adapter for 4 inch Square Poles
R59309	RENO-TAS5	Tenon Adapter for 5 inch Square Poles



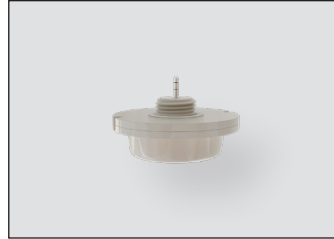
## RENO Standalone Sensor Accessories



R71002



R74004



R72001



R73002



R73005

Order#	Model	Description
R71002	RENO-SENSOR-MW-H	Microwave Sensor
R74004	RENO-SENSOR-PIR3.5-PH15M	Long Detection Range PIR Sensor
R72001	RENO-SENSOR-PC-S	Photocell Sensor
R73002	RENO-REMOTE-H	Remote Control for Standalone Sensors (With Screen)
R73005	RENO-REMOTE-H-ECO	Remote Control for Standalone Sensors (Without Screen)

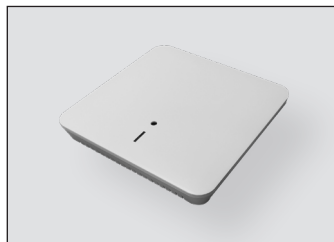
## RENO Smart NLC System & Standalone Sensor Accessories



R75001



R75002



R75201

Order#	Model	Description
R75001	RENO-RS-JK-BPDN-12V	Bluetooth 3.5mm Jack PIR Sensor for RENO Smart NLC System
R75002	RENO-RS-JK-BMVM-12V	Bluetooth 3.5mm Jack Microwave Sensor for RENO Smart NLC System
R75201	RENO-RS-GW-BCNW	Ceiling Mounted Gateway for RENO Smart NLC System



# HALO Series | Architectural Post Tops

ARCHITECTURAL LUMINAIRES BY RENO LIGHTING

## Dimensions

RENO-PT-DV-MW-MCCT-R1

Length A: 3.8" (96.5 mm)  
Length B: 17" (431.8 mm)  
Mount: Ø3.1" (79.4 mm)  
Diameter: Ø16.5" (419.1 mm)  
EPA: 0.528  
Weight: 16 lbs (7.25 kg)

Diameter

RENO-PT-DV-MW-MCCT-R2

Length A: 3.8" (96.5 mm)  
Length B: 17" (431.8 mm)  
Mount: Ø3.1" (79.4 mm)  
Diameter: Ø16.5" (419.1 mm)  
EPA: 0.75  
Weight: 16 lbs (7.25 kg)

Diameter

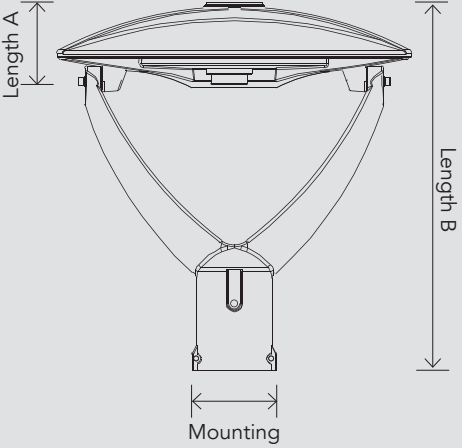


# HALO Series | Architectural Post Tops

ARCHITECTURAL LUMINAIRES BY 

## Dimensions

RENO-PT-DV-MW-MCCT-R3



Length A

Length B

Mounting

Diameter

Length A:	3.8" (96.5 mm)
Length B:	17" (431.8 mm)
Mount:	Ø3.1" (79.4 mm)
Diameter:	Ø16.5" (419.1 mm)
EPA:	1.78
Weight:	16 lbs (7.25 kg)

