



INSTALLATION INSTRUCTIONS

FLUSH MOUNT WITH SENSOR

ModelNo. RENO-CFM-10"-MW-MCCT-MS
RENO-CFM-13"-MW-MCCT-MS
RENO-CFM-15"-MW-MCCT-MS

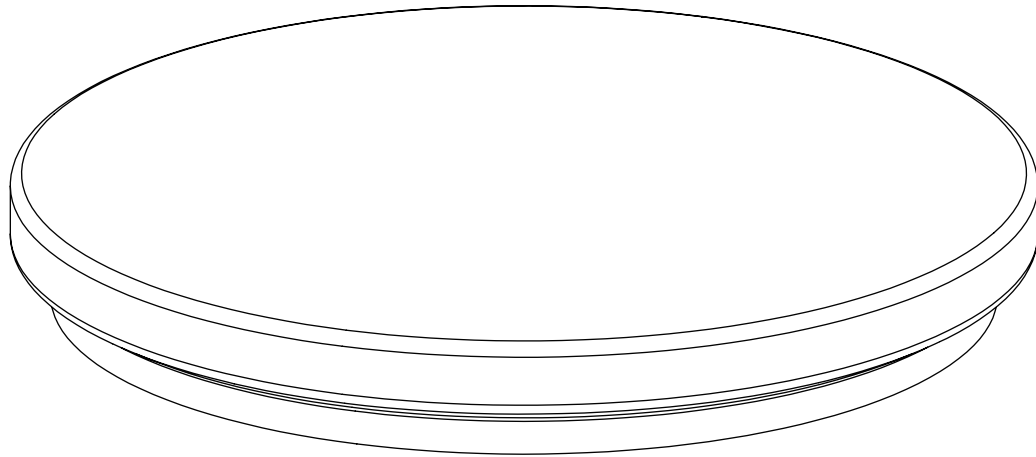
Please read and understand this entire manual before attempting to assemble, operate or install the product.

WARNING: Avoid fire or electric shock. Follow installation instructions carefully. If unsure about electrical installation, consult a qualified electrician. Wear rubber-soled shoes and work on a sturdy wooden ladder. Ground fixture to avoid potential electric shock. Handle metal parts carefully to prevent cuts. To avoid a hazard to children, account for all parts and destroy all packing materials. This product is suitable for indoor damp applications.

CAUTION: Turn off power at fuse or circuit breaker box before installation and maintenance. Fixture must be installed according to National Electric Code and local building codes. If you are unsure about wiring, consult a qualified electrician. THIS FIXTURE BODY IS ONE PIECE, DO NOT DISASSEMBLE OR MAKE ALTERATIONS.

This device complies with part 15 of the FCC Rules. Operation is subject to the following two conditions: (1) this device may not cause harmful inference, and (2) this device must accept any inference received, including that may cause undesired operation.

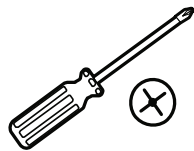
*The fixture may not be compatible with all dimmers. Go to WWW.RENOLIGHTING.COM /Dimmers to find dimmer compatibility information.



DIMMABLE*



TOOLS REQUIRED (not supplied)



Phillips Screwdriver



Wire Strippers



Safety Goggles



Electrical Tape



Ladder

HARDWARE CONTENTS **Note: Hardware not shown actual size.**



AA



BB

Part	Description	Qty
AA	Junction Box Mounting Screws	2
BB	Wire Connectors	3

PREPARATION

Before beginning assembly, installation or operation of product, make sure all parts are present. Compare parts with package contents list and diagram on previous page. If any part is missing or damaged, do not attempt to assemble, install or operate the product. Contact customer service for replacement parts.

SAFETY INFORMATION

Please read and understand this entire manual before attempting to assemble, operate or install the product.

WARNING: Avoid fire or electric shock. Follow installation instructions carefully. If unsure about electrical installation, consult a qualified electrician. Wear rubber-soled shoes and work on a sturdy wooden ladder. Ground fixture to avoid potential electric shock. Handle metal parts carefully to prevent cuts. To avoid a hazard to children, account for all parts and destroy all packing materials. This product is suitable for indoor damp applications.

CAUTION: Turn off power at fuse or circuit breaker box before installation and maintenance. Fixture must be installed according to National Electric Code and local building codes. If you are unsure about wiring, consult a qualified electrician. **THIS FIXTURE BODY IS ONE PIECE, DO NOT DISASSEMBLE OR MAKE ALTERATIONS.**

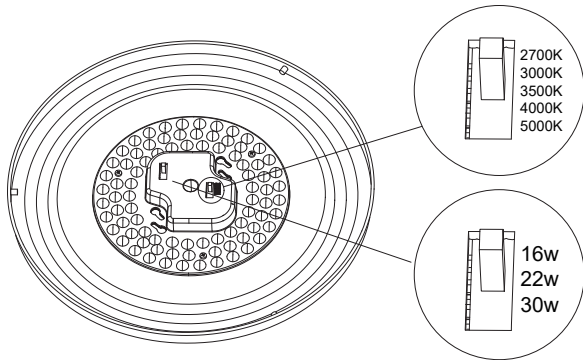
ASSEMBLY INSTRUCTIONS

WARNING! BEFORE PROCEEDING, PLEASE ENSURE POWER HAS BEEN SWITCHED OFF.

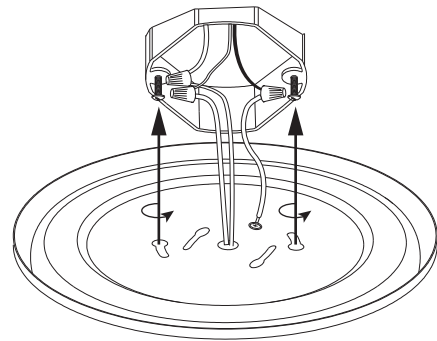
1. Before beginning the installation, make sure all power is off at the breaker box.

2. Pre-select the desired Watt by switching between 22W,30W,36W

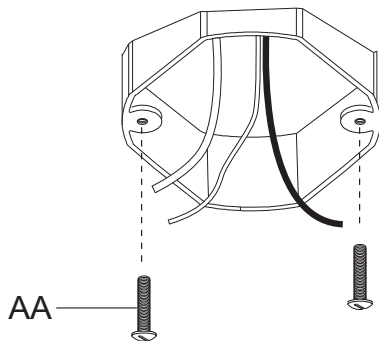
3. Pre-select the desired CCT by switching between 2700K, 3000K, 3500K, 4000K,5000K.



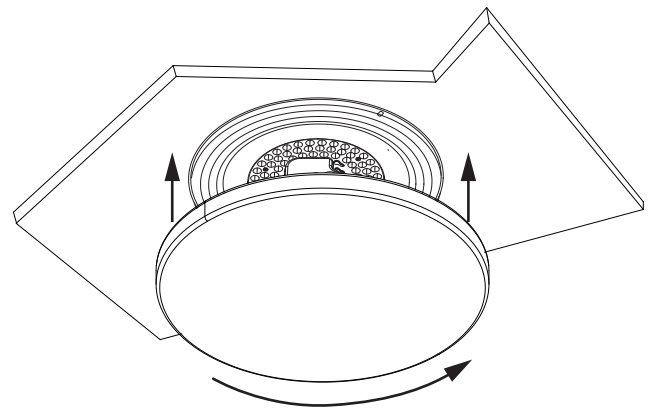
5. Carefully tuck all wires back into the junction box. Place the fixture pan over the junction box and feed fixture screws through keyhole slots. Rotate the fixture pan clock wise until screws lock into the narrow end of the keyhole slots and tighten screws firmly.



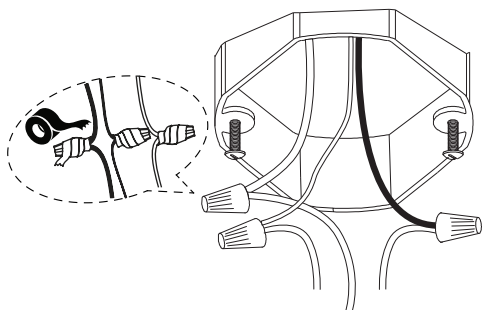
3. Thread the fixture screws into the appropriate threaded holes of the junction box.



6. Secure the lens



4. Connect the fixture black wire to the black supply wire white fixture wire to the white supply wire and fixture ground wire to the supply ground wire using wire nuts . Wrap all wire connections with electrical tape to ensure secure connection.



CARE AND MAINTENANCE

- To clean, turn off and wipe with a damp, non-abrasive cloth.

TROUBLESHOOTING

- 1) The light does not come on at all:
 - a) Make sure the wall switch and circuit breaker are on.
 - b) Make sure the wiring is correct.
- 2) Fuse blows or circuit trips when light is turned on.
 - a) Check for crossed wires, ensure wiring is correct.

If unable to fix any of the above issues, please consult a certified electrician.

Limited Warranty

WARRANTY

This fixture is warranted to perform free from defects for five years. If it fails to do so, you may return it with proof of purchase ,please visit WWW.RENOLIGHTING.COM for replacement.

COMPATIBLE DIMMERS

Lutron Toggler TGCL-153P Lutron MACL-153M-WH Lutron DVCL-153PR-WH Lutron DVCL-153P
Lutron DVWCL-153PH-WH Lutron MACL-153MH-WH Lutron MACL-153M Lutron CTCL-153P
Lutron PD-5NE Lutron TGCL-153PR-WH
Dimmable to 10% with most dimmers.