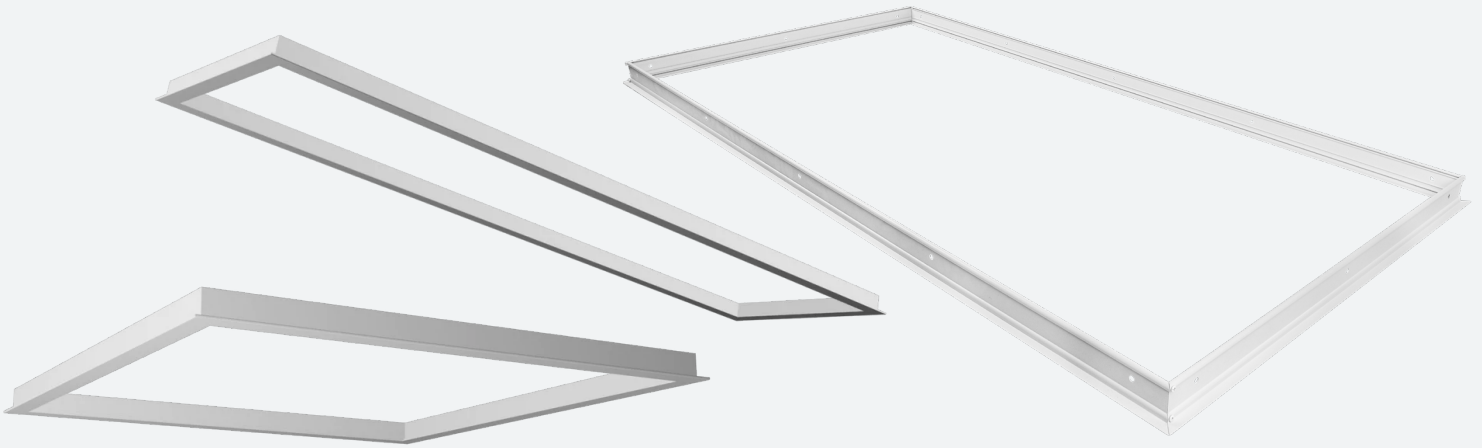


Date:	Project Name:
Type:	Part Number:



# FLANGE KIT

## DESCRIPTION

RENO Lighting's Recessed Flange Kit fits 1'x4', 2'x2' and 2'x4' flat panels. With a flush finish installation the kit best for commercial or residential applications.

## FEATURES

- Aluminum Alloy & PC Material
- Easy Installation & Maintenance
- 7 year warranty

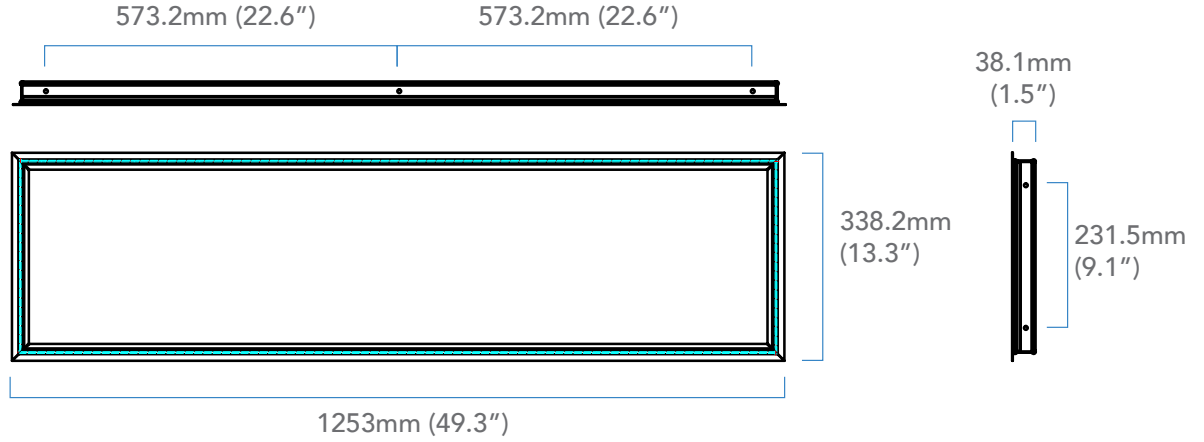
## SPECIFICATION

ORDER#	MODEL#	DESCRIPTION
R39211	RENO-RFK14	Recessed Flange Kit for 1'x4' panel
R39212	RENO-RFK22	Recessed Flange Kit for 2'x2' panel
R39213	RENO-RFK24	Recessed Flange Kit for 2'x4' panel

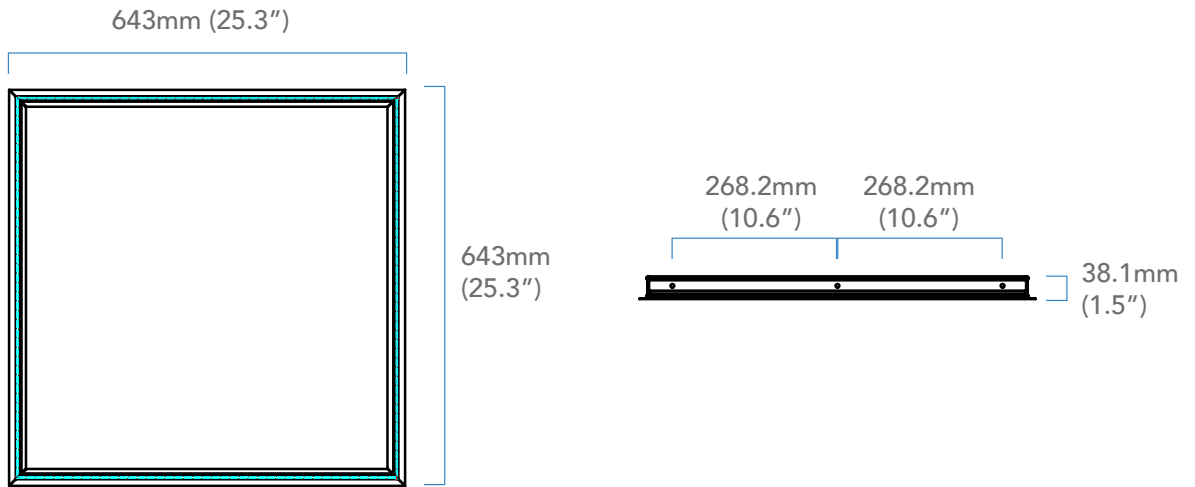
Date:	Project Name:
Type:	Part Number:

## DIMENSIONS

**1'X4'**



**2'X2'**



**2'X4'**

