

Date		Project	
Type		Part Number	

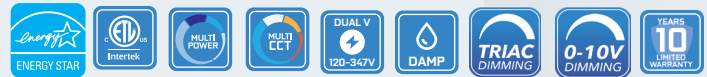


ALL-IN-ONE PERFORMANCE LIGHTING

# ZETA Series

## Commercial Downlights

RENO's Multifunctional Downlight is a commercial grade downlight fixture. This Energy Star qualified downlight with integrated driver, designed as an energy efficient lighting solution for the Commercial's popular 4"/6"/8"/10" recessed downlight fixtures. Features Dual Voltage 120-347V and easy installation with adjustable wattages and colour temperature.



### PRODUCT FEATURES

- EnergyStar Certified
- JA8 Compliant
- Flexibility in Dimming Control: Supports both 0-10V and TRIAC dimming (120V)
- Suitable for Type-IC on models: 4", 6", & 8"
- External spring arms install to mounting surface without the need for a traditional recessed can
- 25.5" (650mm) BX Whip
- Frosted Polycarbonate Lens
- ABS Trim and Body
- Operating temperature: -13°F to +113°F (-25°C to +45°C)
- Damp location suitable
- Rated Lifespan: L70 ~50,000 hrs
- 10 year limited warranty

### KEY SPECIFICATIONS

<b>Voltage</b>	120-347V
<b>Wattage</b>	<b>Selectable Wattage</b> 4" - 9/13/18W 6" - 10/16/27W 8" - 18/27/36W 10" - 22/34/45W
<b>Size</b>	4", 6", 8", 10"
<b>Power Factor</b>	>0.9
<b>CCT</b>	27/30/35/40/5000K
<b>CRI</b>	>93
<b>Lumens</b>	Up to 4,185 lm
<b>Beam Angle</b>	95°
<b>Dimming</b>	0-10V, 120V TRIAC
<b>Mounting</b>	Recessed Ceiling
<b>Applications</b>	Commercial, Residential, Warehouse, Retail Facilities



## SPECIFICATIONS – 4" MULTI POWER (9/13/18W)

Order#	Model	Wattage	Voltage	Lumens	Efficacy	CCT
R39205	RENO-DL4-MW-DV-MCCT-G2	9W	120-347V	837 lm	93 lm/W	2700K
				837 lm	93 lm/W	3000K
				837 lm	93 lm/W	3500K
				837 lm	93 lm/W	4000K
				837 lm	93 lm/W	5000K
		13W	120-347V	1,209 lm	93 lm/W	2700K
				1,209 lm	93 lm/W	3000K
				1,209 lm	93 lm/W	3500K
				1,209 lm	93 lm/W	4000K
				1,209 lm	93 lm/W	5000K
		18W	120-347V	1,674 lm	93 lm/W	2700K
				1,674 lm	93 lm/W	3000K
				1,674 lm	93 lm/W	3500K
				1,674 lm	93 lm/W	4000K
				1,674 lm	93 lm/W	5000K

## SPECIFICATIONS – 6" MULTI POWER (10/16/27W)

Order#	Model	Wattage	Voltage	Lumens	Efficacy	CCT
R39206	RENO-DL6-MW-DV-MCCT-G2	10W	120-347V	930 lm	93 lm/W	2700K
				930 lm	93 lm/W	3000K
				930 lm	93 lm/W	3500K
				930 lm	93 lm/W	4000K
				930 lm	93 lm/W	5000K
		16W	120-347V	1,488 lm	93 lm/W	2700K
				1,488 lm	93 lm/W	3000K
				1,488 lm	93 lm/W	3500K
				1,488 lm	93 lm/W	4000K
				1,488 lm	93 lm/W	5000K
		27W	120-347V	2,511 lm	93 lm/W	2700K
				2,511 lm	93 lm/W	3000K
				2,511 lm	93 lm/W	3500K
				2,511 lm	93 lm/W	4000K
				2,511 lm	93 lm/W	5000K

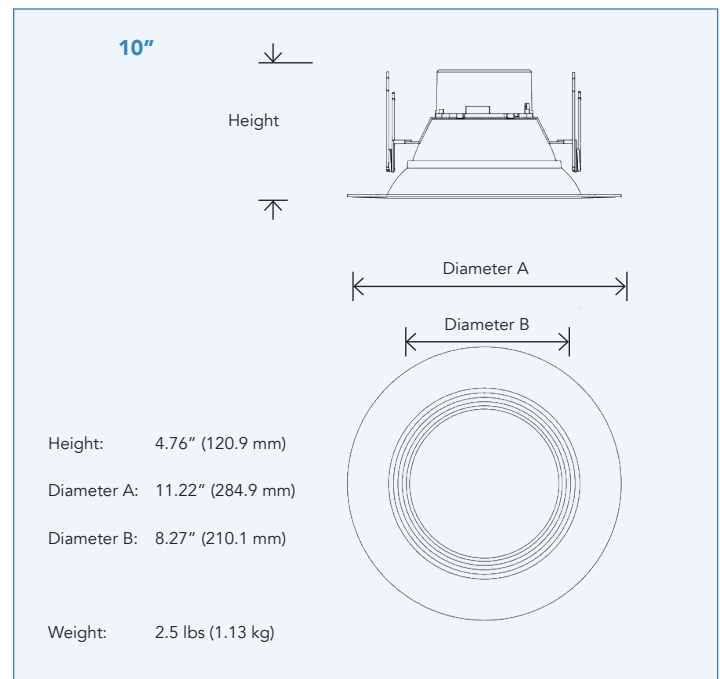
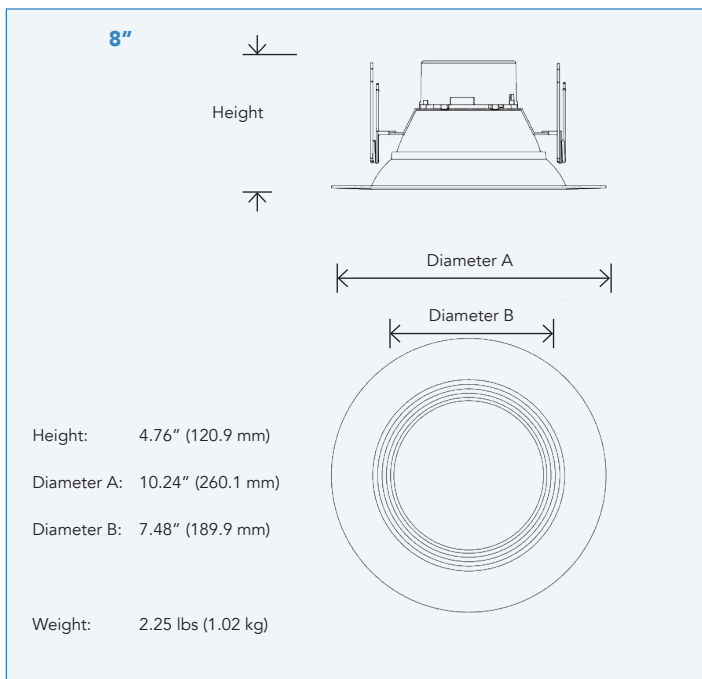
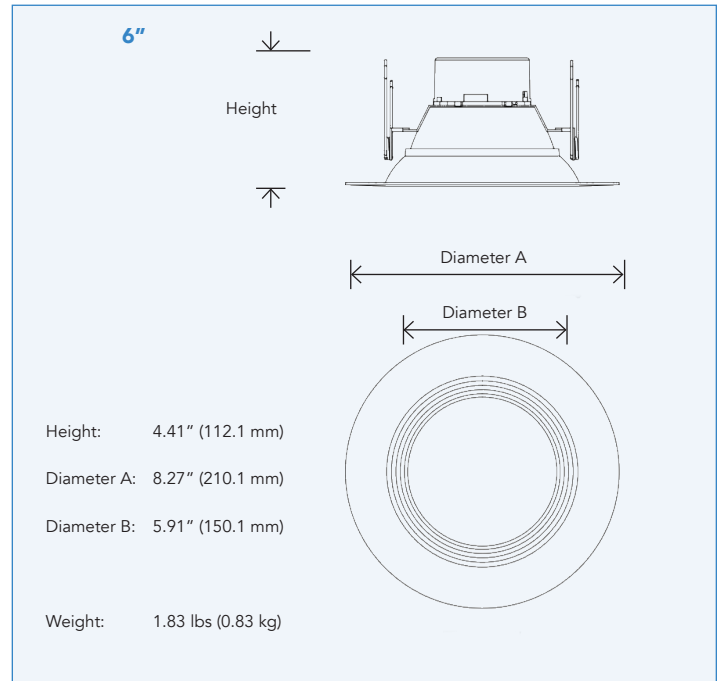
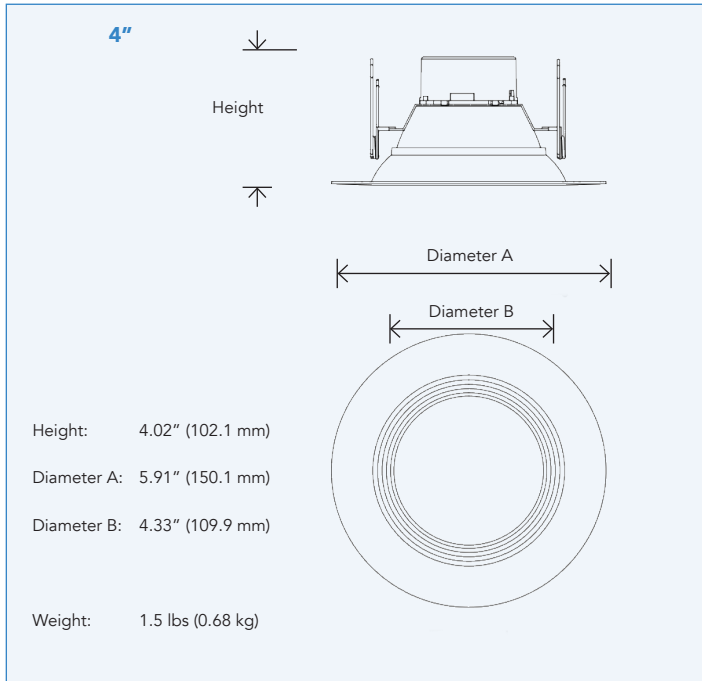
## SPECIFICATIONS – 8” MULTI POWER (18/27/36W)

Order#	Model	Wattage	Voltage	Lumens	Efficacy	CCT
R39207	RENO-DL8-MW-DV-MCCT-G2	18W	120-347V	1,674 lm	93 lm/W	2700K
				1,674 lm	93 lm/W	3000K
				1,674 lm	93 lm/W	3500K
				1,674 lm	93 lm/W	4000K
				1,674 lm	93 lm/W	5000K
		27W	120-347V	2,511 lm	93 lm/W	2700K
				2,511 lm	93 lm/W	3000K
				2,511 lm	93 lm/W	3500K
				2,511 lm	93 lm/W	4000K
				2,511 lm	93 lm/W	5000K
		36W	120-347V	3,348 lm	93 lm/W	2700K
				3,348 lm	93 lm/W	3000K
				3,348 lm	93 lm/W	3500K
				3,348 lm	93 lm/W	4000K
				3,348 lm	93 lm/W	5000K

## SPECIFICATIONS – 10” MULTI POWER (22/34/45W)

Order#	Model	Wattage	Voltage	Lumens	Efficacy	CCT
R39208	RENO-DL10-MW-DV-MCCT-G2	22W	120-347V	2,046 lm	93 lm/W	2700K
				2,046 lm	93 lm/W	3000K
				2,046 lm	93 lm/W	3500K
				2,046 lm	93 lm/W	4000K
				2,046 lm	93 lm/W	5000K
		34W	120-347V	3,162 lm	93 lm/W	2700K
				3,162 lm	93 lm/W	3000K
				3,162 lm	93 lm/W	3500K
				3,162 lm	93 lm/W	4000K
				3,162 lm	93 lm/W	5000K
		45W	120-347V	4,185 lm	93 lm/W	2700K
				4,185 lm	93 lm/W	3000K
				4,185 lm	93 lm/W	3500K
				4,185 lm	93 lm/W	4000K
				4,185 lm	93 lm/W	5000K

## DIMENSIONS



Size	Min. Cut Out	Max. Cut Out
4"	4.33"	5.51"
6"	5.91"	7.48"
8"	7.48"	9.45"
10"	8.27"	10.24"