

# PEDESTAL Installation



☎ 905-604-4666 | 🌐 [www.renoevc.com](http://www.renoevc.com) | ✉ [sales@renoevc.com](mailto:sales@renoevc.com)



## TABLE OF CONTENTS

<b>1. Warnings</b> .....	<b>1</b>
<b>2. Mounting the base</b> .....	<b>2</b>
<b>3. Concrete Base Requirements</b> .....	<b>3</b>
<b>4. Anchoring</b> .....	<b>4</b>
<b>5. Installation</b> .....	<b>5</b>
5.1 Pedestal Installation .....	<b>5</b>
5.1.1 Packing list .....	<b>5</b>
5.1.2 Pedestal Installation .....	<b>7</b>
5.1.3 Mounting the charging station .....	<b>9</b>
5.1.4 Connecting .....	<b>10</b>
5.2 Pedestal with cable management system .....	<b>11</b>
5.2.1 Packing list .....	<b>11</b>
5.2.2 Upper part installation .....	<b>14</b>
5.2.3 Bracket installation .....	<b>18</b>
5.2.4 Mounting the charging station .....	<b>19</b>
5.2.5 Connecting .....	<b>20</b>
<b>6. Warranty</b> .....	<b>21</b>

## 1. Warnings

### Safety Instructions

- Failure to follow the safety instruction can result in risk of death, injuries and damage to the device.
- The producer assumes no liability for claims resulting from this.

### Electrical hazard

- The installation, commissioning and maintenance of the charging station is only performed by qualified and authorized electricians who are fully responsible for the compliance with existing standards and installation regulations. Observe the instruction given for selecting the location and the constructional requirements.
- If the requirement for the location and the corresponding precautionary measures is not met, this can result in death, serious physical injury or equipment damage.
- The evse charging station is to be connected to a grounded, metal, permanent wiring system. The evse pedestal is to be connected to a separate ground conductor run and connected to the grounding lug at the pedestal mounting pole.

### Use of this manual

This installation manual is intended for qualified personnel only. You must adhere to the information and instructions in the manual about selecting the location, installation, and connection of the charging station.

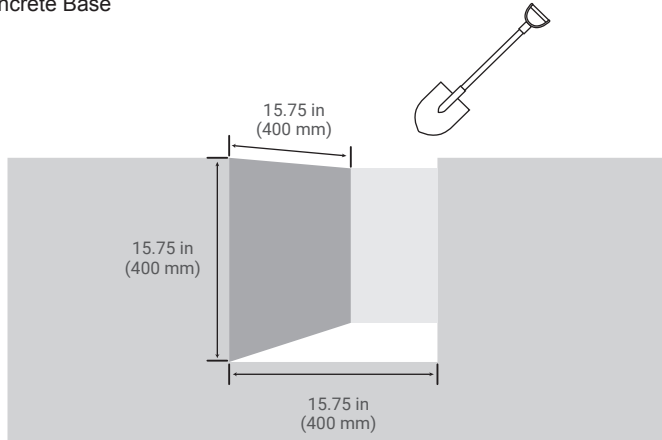
### Installation Environment Instructions

- The charging station should not be installed near dangerous area such as water pipes, gas pipes, and steam pipes to ensure safe use.
- After charging is completed, please promptly put the charging connector back into the plug holster, and avoid exposing the connector head directly to the outside to prevent abnormal pollution.
- It is essential to strictly follow the above installation environment instruction to ensure the normal use of the charging station and the personal safety of users.

## 2. Mounting the base

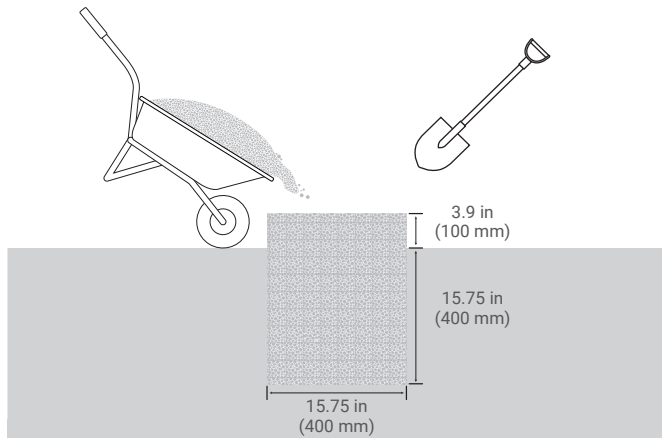
### Step1

Prepare the Concrete Base



### Step2

Concrete Base Requirements



## 3. Concrete Base Requirements

### Step1

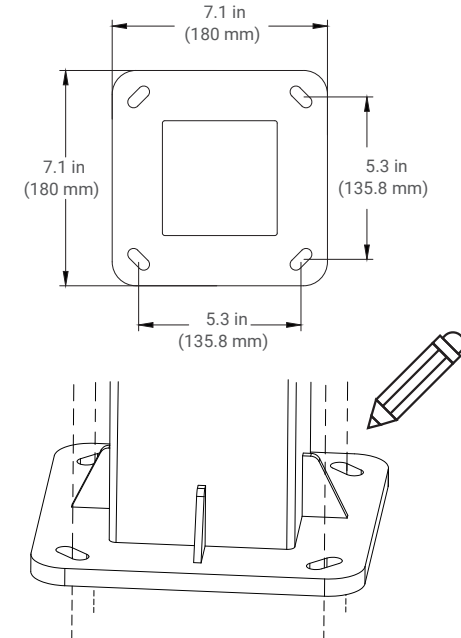
Mark the 4 holes on the concrete foundation using the base-plate of the pedestal. Make sure that the connection cable is located precisely underneath the opening in the base-plate.

### Step2

Drill the 4 mounting holes: Diameter 10mm; Drill-hole minimum depth 84mm.

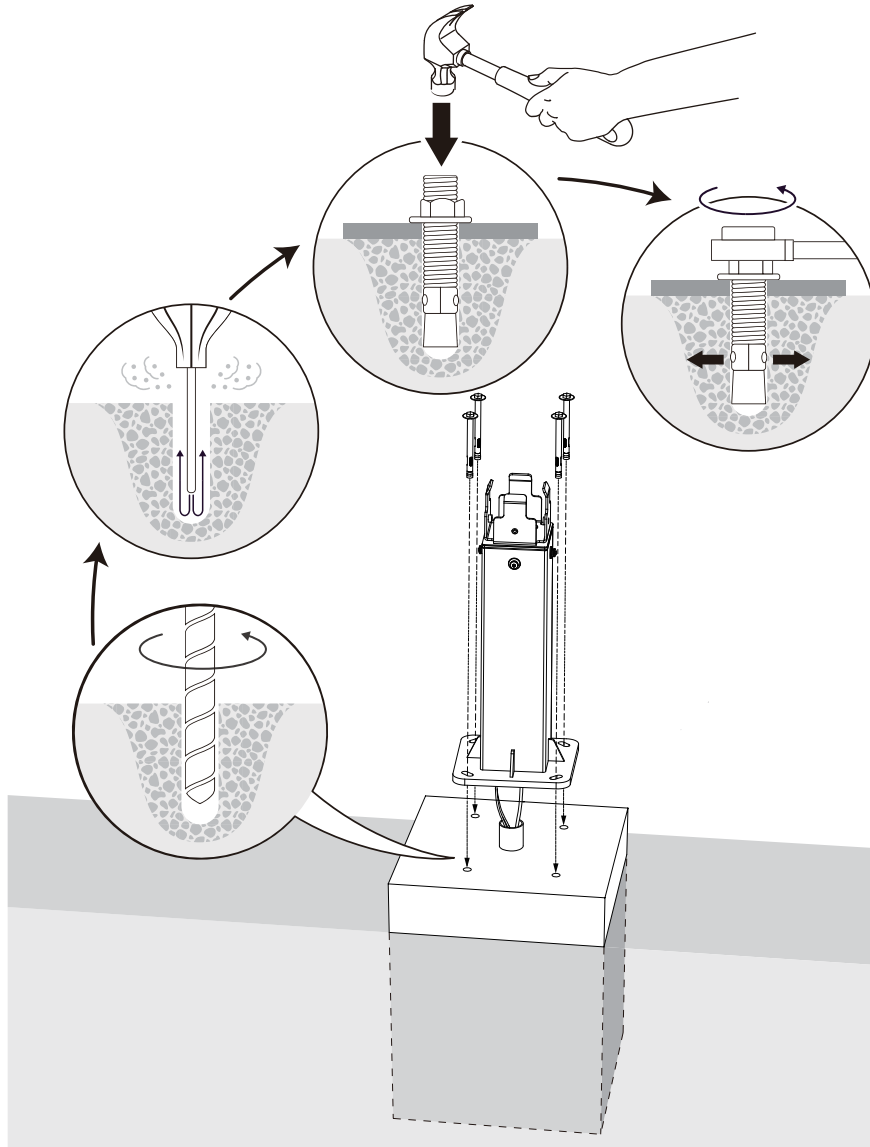
### Step3

Hammer the anchors (not included) so that they are flush with the floor.



## 4. Anchoring

Fix the pedestal (Lower Part) to the concrete foundation with 4 sets of M8\*100mm expansion screws



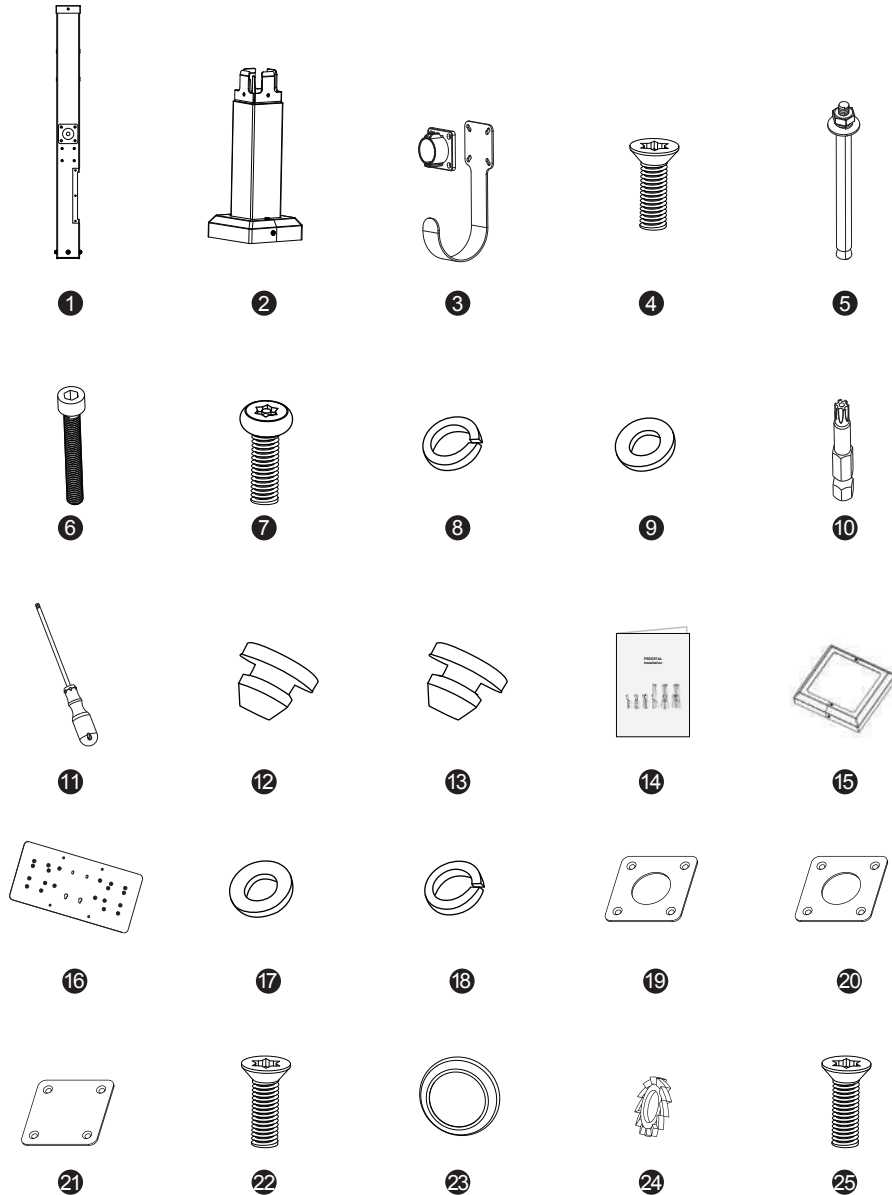
## 5. Installation

### 5.1 Pedestal Installation

#### 5.1.1 Packing list

No.	Description	Single Version	Back-to-back Version	Side-by-side Version
		QTY.(PCS)	QTY.(PCS)	QTY.(PCS)
1	Pedestal (Middle Part)	1	1	1
2	Pedestal (Lower Part)	1	1	1
3	Connector Base & Hook	1	2	2
4	M5*22mm Screw	5	10	10
5	M8*100mm Expansion Screw	4	4	4
6	M8*18mm Screw	5	10	10
7	M6*18 Pan head torx screws	10	10	10
8	M6 Spring Washer	6	6	6
9	M6 Flat Washer	6	6	6
10	T25 Screwdriver	1	1	1
11	T30 Screwdriver	1	1	1
12	M8 Screw silicone stopper	5	5	5
13	M5 Screw silicone stopper	5	5	5
14	Installation Manual	1	1	1
15	Base Cover	2	2	2
16	Bracket	0	0	1
17	M8 Flat Washer	0	0	4
18	M8 Spring Washer	0	0	4
19	Metal Cover (For NPT)	1	2	2
20	Metal Cover: $\phi 50.3$	1	2	2
21	Metal Cover: Unhole	1	1	1
22	M5*14Countersunk head screws	10	10	10
23	M50 Sealing Cover	1	2	2
24	M8 External Tooth Lock Star Washer	0	0	1
25	M5*18 Countersunk head screws	5	10	10

Check the box to ensure you have this installation guide and these parts:



### 5.1.2 Pedestal Installation

#### Step1

Insert the pedestal(Middle Part)into the Lower Part with 4 sets of M6\*18mm screws with spring washer and flat washer.  
Notice: the positional ordering of spring washer and flat Washer

#### Step2

Release the 8pcs of M5\*18mm screws of the wiring window at the back, connect the ground wire to the terminal inside the Pedestal

#### Step3

Insert one cable gland to the pedestal for single pedestal properly.

#### Step4

Use 4pcs of M5\*22mm screws to fix the connector bases and hooks in the corresponding position. If you don't need the hook, Please use 4pcs of M5\*18mm screws to fix the connector bases in the corresponding position

#### Step5

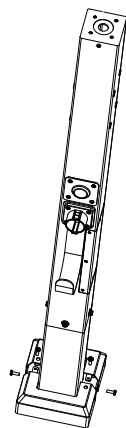
Use 4pcs of M5\*14mm screws to fix the Metal Cover above the connector bases and hooks, Insert the Sealing Cover plug into the metal cover plate. We also provide metal cover plate (for NPT), please purchase other parts by yourself. When you buy a single version , please use the unhole metal cover. Notice:Please use a knife to make a cross cut on the Sealing Cover.

#### Step6

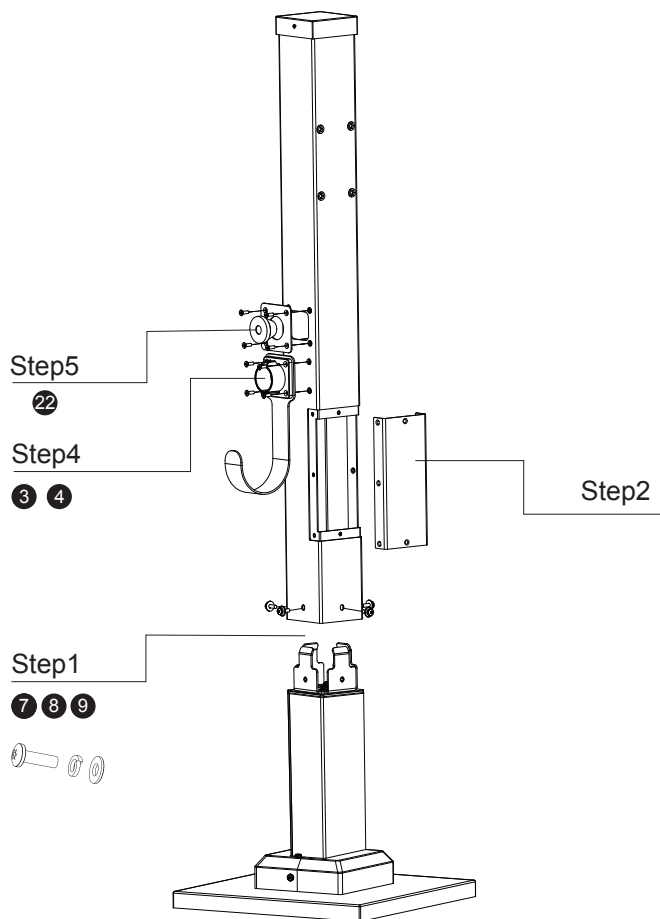
Repeat one more time on the back for Back-to-back version.

#### Step7

Installation of bottom cover plate  
Use 4 sets of M6\*18mm screws to install the base cover.



Step7



### 5.1.3 Mounting the charging station

#### Step1

For back to back version:

Take off the wall-mounted bracket , and fix it in the corresponding position on the pedestal with 4 pcs of M8\*18mm screws.

For side by side version:

① Take off the wall-mounted bracket , and fix it in the corresponding position on the side by side bracket with 8 pcs of M8\*18mm.

② Fix side-by-side bracket on to the Middle Pedestal with 4pcs of M8\*18mm screws with spring washer and flat washer.

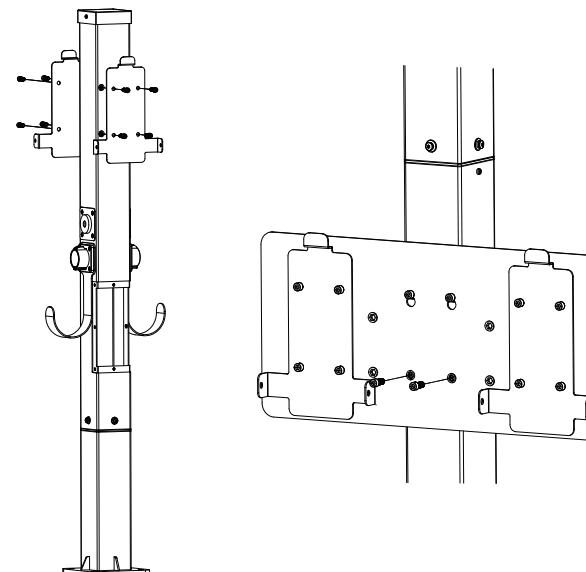
Notice: Add an M8 External Tooth Lock Star Washer to any of the 4 sets of M8 screws.

#### Step2

Mount charging stations on the charger holder plate using 2pcs of M5\*12mm screws on two sides of the charger.

#### Step3

Repeat one more time on the back for Back-to-back version.



### 5.1.4 Connecting

#### Step1

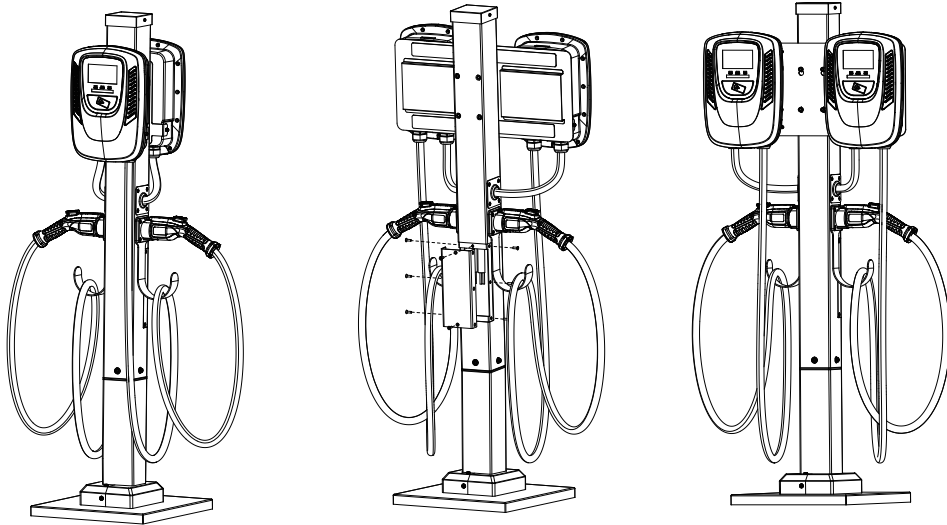
Thread the connection cables from the bottom through the pedestal upwards through the wiring window.

#### Step2

Perform the electrical connection and commissioning in accordance with the instructions in the "User manual" of charging station.

#### Step3

Fix the 8pcs of M5\*12mm screws to finish the installation.



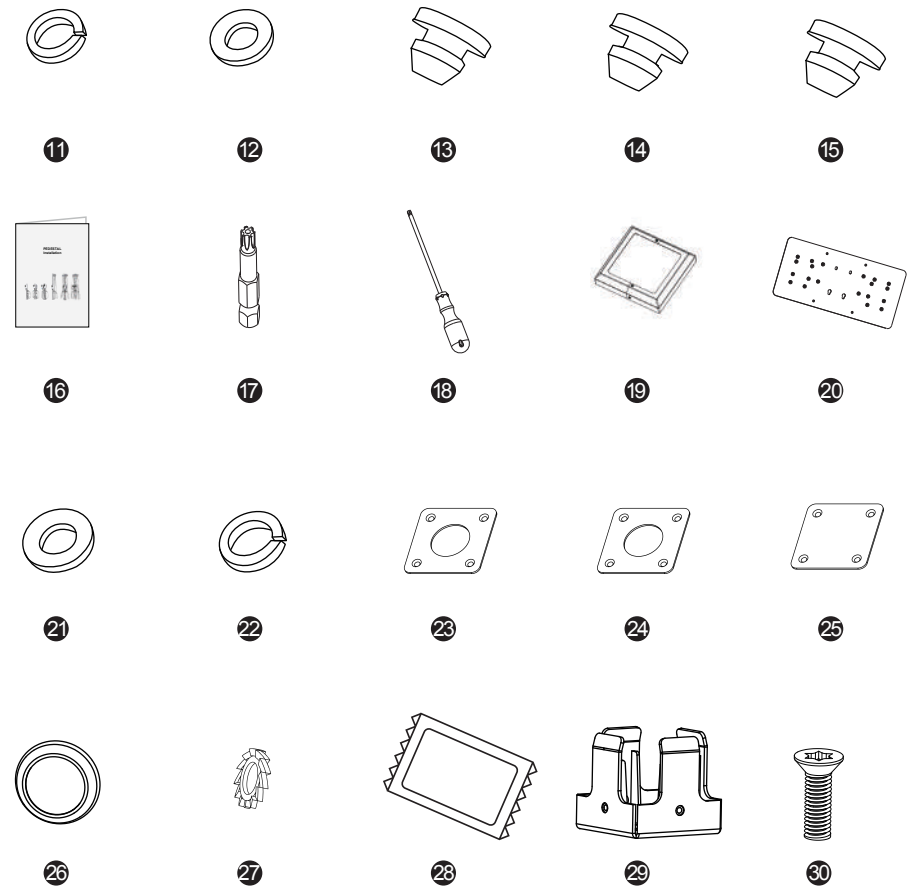
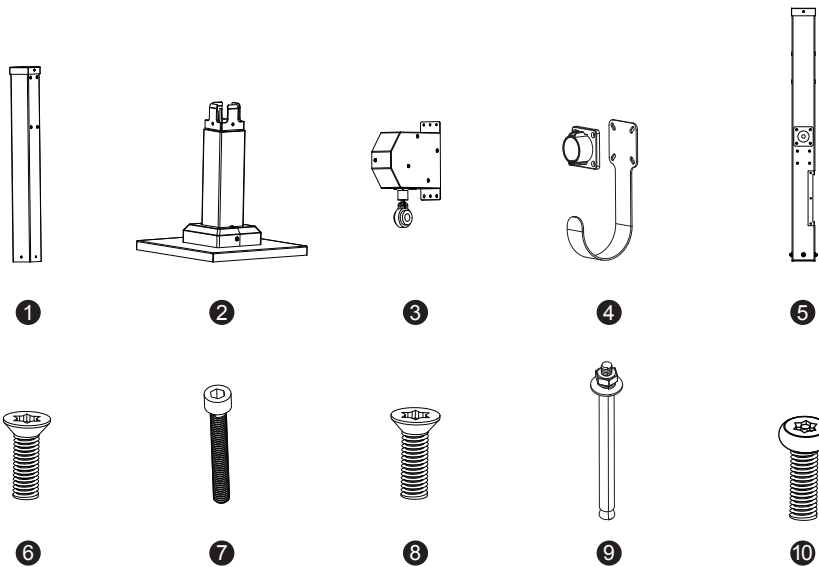
## 5.2 Pedestal with cable management system

### 5.2.1 Packing list

No.	Description	Single Version	Back-to-back Version	Side-by-side Version
		QTY.(PCS)	QTY.(PCS)	QTY.(PCS)
1	Pedestal (Upper Part)	1	1	1
2	Pedestal (Lower Part)	1	1	1
3	Cable retractor	1	2	2
4	Connector Base & Hook	1	2	2
5	Pedestal (Middle Part)	1	1	1
6	M5*14Countersunk head screws	10	10	10
7	M8*18mm Screw	5	10	14
8	M5*22Countersunk head screws	5	10	10
9	M8*100mm Expansion Screw	4	4	4
10	M6*18 Pan head torx screws	22	26	26
11	M6 Spring Washer	18	22	22
12	M6 Flat Washer	18	22	22
13	M8 Screw silicone stopper	5	5	5
14	M5 Screw silicone stopper	5	5	5
15	M6 Screw silicone stopper	5	5	5
16	Installation Manual	1	1	1
17	T25 Screwdriver	1	1	1
18	T30 screwdriver	1	1	1
19	Base Cover	2	2	2
20	Bracket	0	0	1
21	M8 Flat Washer	0	0	4
22	M8 Spring Washer	0	0	4

No.	Description	Single Version	Back-to-back Version	Side to Side Version
		QTY.(PCS)	QTY.(PCS)	QTY.(PCS)
23	Metal Cover (For NPT)	1	2	2
24	Metal Cover: φ50.3	1	2	2
25	Metal Cover: Unhole	1	1	1
26	M50 Sealing Cover	1	2	2
27	M8 External Tooth Lock Star Washer	0	0	1
28	Cable Clamp Installation Toolkit	1	2	2
29	Adapter	1	1	1
30	M5*18 Countersunk head screws	5	10	10

Check the box to ensure you have this installation guide and these parts:





## 5.2.2 Upper part installation

### Step1

Insert the pedestal(Middle Part)into the Lower Part with 4 sets of M6\*18mm screws with spring washer and flat washer.

Notice:  
the positional ordering of spring washer and flat Washer

### Step2

Release the 8pcs of M5\*18mm screws of the wiring window at the back.  
connect the ground wire to the terminal inside the Pedestal

### Step3

Insert one cable gland to the pedestal for single pedestal properly.

### Step4

Use 4pcs of M5\*18mm screws to fix the connector bases and hooks in the corresponding position.  
If you don't need the hook, Please use 4pcs of M5\*22mm screws to fix the connector bases in the corresponding position

### Step5

Use 4pcs of M5\*14mm screws to fix the Metal Cover above the connector bases and hooks, Insert the Sealing Cover plug into the metal cover plate. We also provide metal cover plate (for NPT), please purchase other parts by yourself.□When you buy a single version , please use the unhole metal cover .

Notice:Please use a knife to make a cross cut on the Sealing Cover.

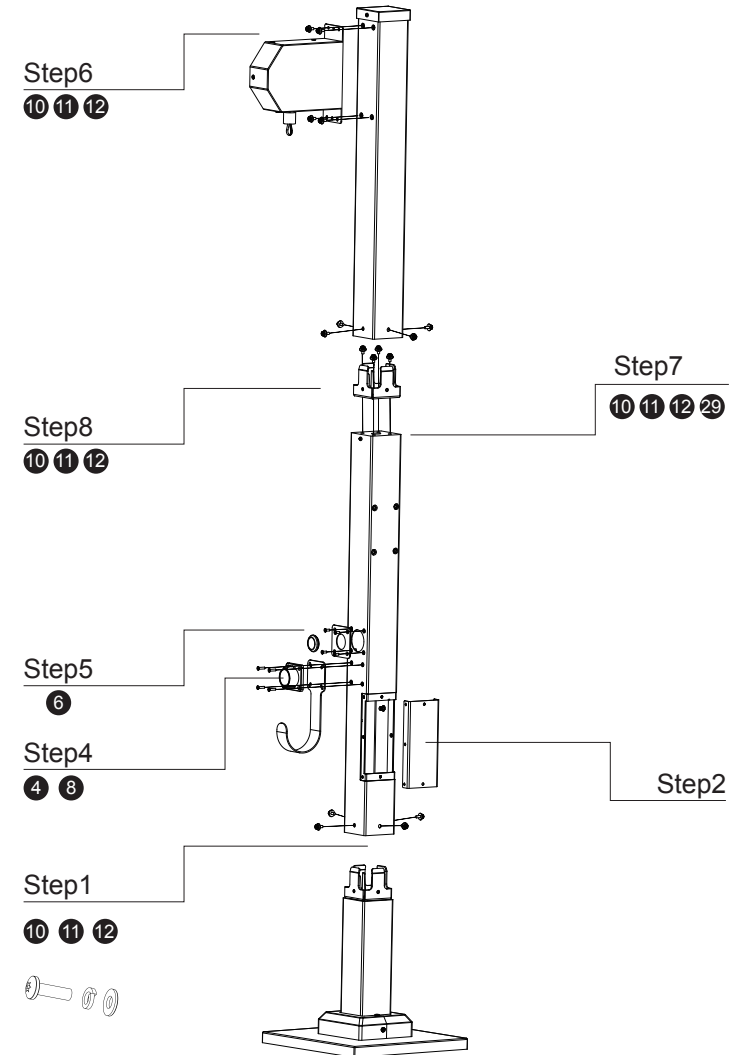
### Step6

Mount the Cable Retractor on the pedestal using 4 sets of M6\*18mm screws with spring washer and flat washer on one side, repeat for the other side

### Step7

Attach the adapter to the Pedestal ( Middle Part) with 4 sets of M6\*18mm screws with spring washer and flat washer.

Note: Make sure that silicone gasket to be placed between the adapter and the top surface of the Middle Pedestal.



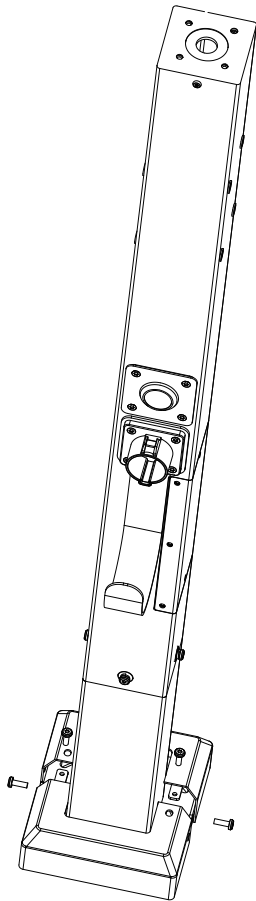
### Step8

Insert the pedestal(Upper Part) with cable management system into the Middle Part with 4 sets of M6\*18mm screws with spring washer and flat Washer.

### Step9

Installation of bottom cover plate

Use 4 sets of M6\*18mm screws to install the base cover.



### Step10

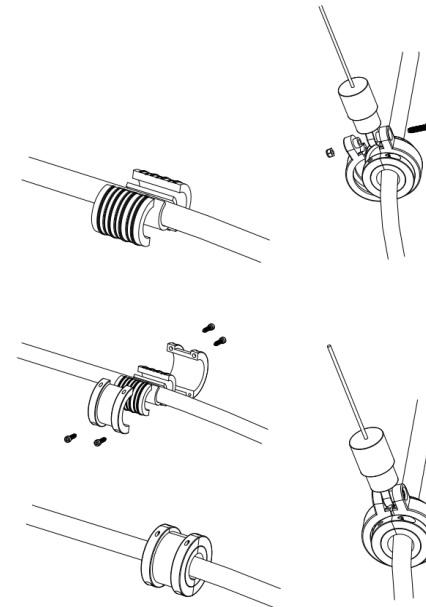
Positioning the cable clamp.

(1) Determine where to position the charging station cable clamp (Please choose the suitable cable sleeve, which is marked the size inside cable sleeve).Recommendation: The cable portion between the clamp and the charging connector must not touch the ground when the Cable management system is completely retracted.

(2) Remove the cable clamp fitting and clamp the cable to the selected position as shown in the diagram below.

If using a standard 18ft cable, we recommend placing the clamp position at 86.2" (2190mm) from the connector.

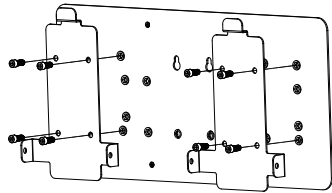
(3) Let the cable retract itself. Verify the clearing between the charging station cable and the ground.Roll the cable overhang around the charging station cable holder.



### 5.2.3 Bracket installation (Side to Side Version)

#### Step1

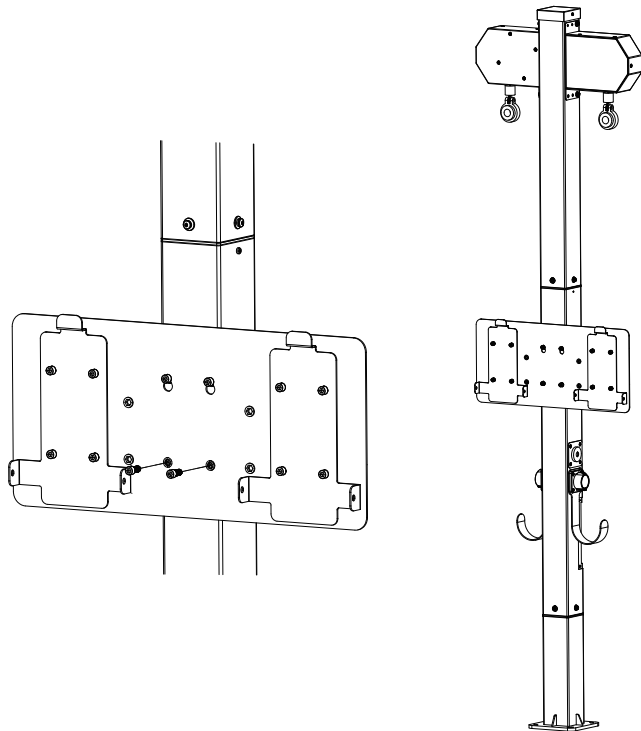
Take off the wall-mounted bracket, and fix it in the corresponding position on the side-by-side bracket with 8 pcs of M8\*18mm screws.



#### Step2

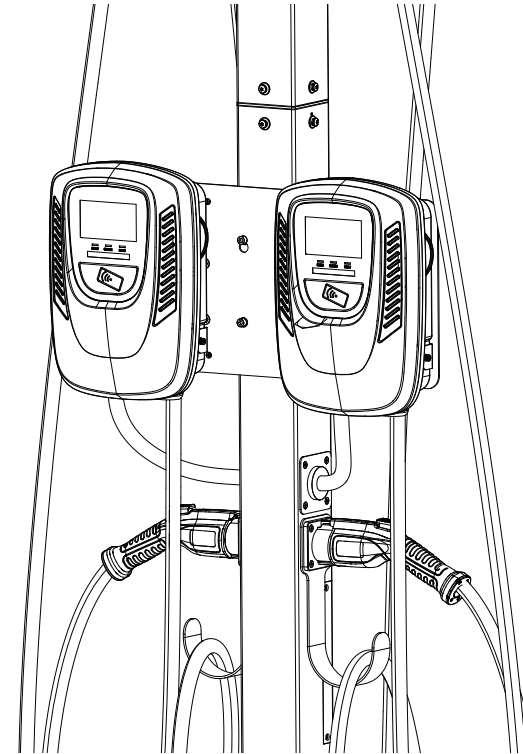
Fix side-by-side bracket on to the Middle Pedestal with 4pcs of M8\*18mm screws with spring washer and flat washer.

Notice: Add an M8 External Tooth Lock Star Washer to any of the 4 sets of M8 screws.



### 5.2.4 Mounting the charging station

Mount 2 charging stations on the charger holder plate using 4pcs of M5\*12mm screws on two sides of the charger (screws from chargers).



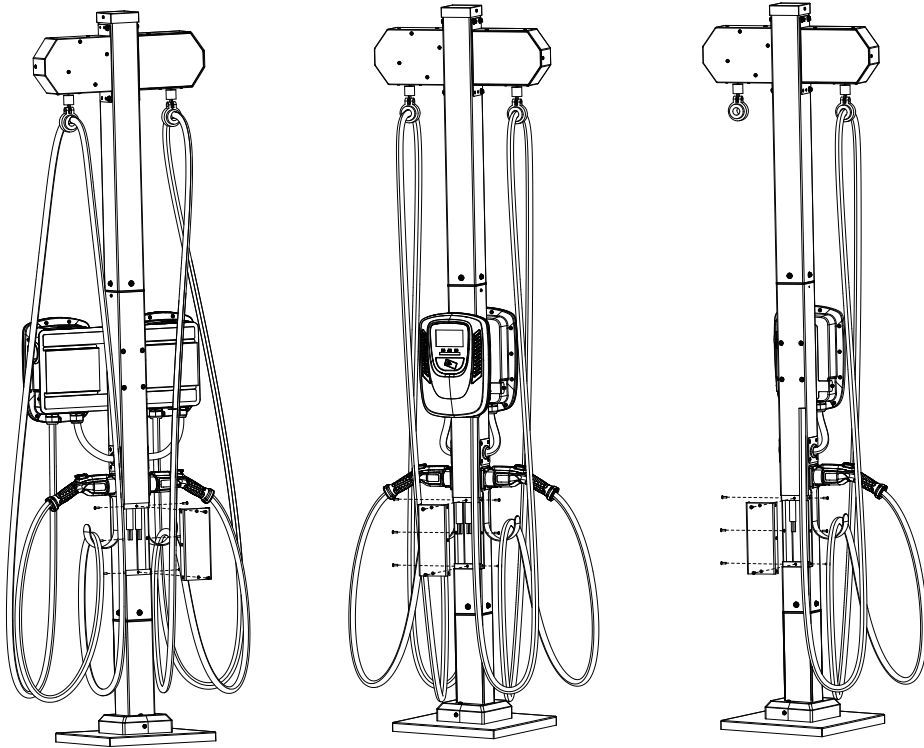
### 5.2.5 Connecting

#### Step1

Perform the electrical connection and commissioning in accordance with the instructions in the "User manual" of charging station.

#### Step2

Fix the 8pcs of M5\*12mm screws of wiring window.



### 6.Warranty

#### LIMITED 1 YEAR WARRANTY AND EXCLUSIONS

Joint warrants to the original consumer purchaser and not for the benefit of anyone else that this product at the time of its sale by Joint is free of defects in materials and workmanship under normal and proper use for one year from the purchase date.

This warranty is void if this product is installed improperly or in an improper environment, overloaded, misused, opened, abused, or altered in any manner, or is not used under normal operating conditions or not in accordance with any labels or instructions.